



**READ THIS DOCUMENT
BEFORE INSTALLATION OR USE**



**PRODUCT REGISTRATION BY THE END USER
IS REQUIRED FOR WARRANTY ACTIVATION**



**FOR USE WITH MANUALLY CONTROLLED
DOUBLEDOWNS ONLY, NOT APPLICABLE FOR
ELECTRONICALLY CONTROLLED DOUBLEDOWNS**



User Manual

DoubleDown Salt Bucket™

Rev. 1.0 / ver. DDSB_2024.12.18.UM



TABLE OF CONTENTS

Disclaimer	3
Warranty Information	4
Operating Instructions	5
1 yd. DoubleDown Salt Bucket™ Assembly	6–12
3 yd. DoubleDown Salt Bucket™ Assembly	13–20
1 yd. & 3 yd. DoubleDown Salt Bucket™ Hydraulic Assembly	21–25



DISCLAIMER

- ⊕ Arctic is not responsible for any damages caused by or with the Salt Bucket.
- ⊕ Arctic is not responsible for damage caused to the Salt Bucket or your machine due to improper installation or misuse of the machine and/or implement.
- ⊕ Always be aware of your surroundings while operating the bucket. This bucket is capable of spreading salt in excess of 25 feet on either side.
- ⊕ Be mindful of the location of the hose-whip, that it is not pinched, not over-extended, not rubbing on any continuously moving component of the machine, and that it is fully de-coupled before removing the bucket from the machine.
- ⊕ The Salt Bucket includes a check valve and only allows hydraulic fluid flow in one direction. Prolonged fluid flow in the incorrect direction may cause damage to the bucket or machine.
- ⊕ Disconnect both the hydraulic circuits prior to performing any maintenance on the bucket. Install protective covers on connectors when not in use.
- ⊕ Do not attempt to fill the bucket in one single scoop. The grates are designed to keep unwanted objects from entering the bucket.
- ⊕ Remove hydraulic power before exiting machine.
- ⊕ If equipped, use the scroll wheel or lever on your machine to gradually energize and de-energize the bucket hydraulics. Rapidly sending or cutting off fluid power will result in increased wear and violent operation of the spinners and augers.
- ⊕ Check clearance between the bucket and the machine door.

MAX OPERATING PRESSURE: 3,000PSI

MIN FLOW: 20GPM

CAPACITY: 1 or 3 CUBIC YARDS STRUCK

**APPROXIMATE WEIGHT OF BUCKET AND SALT
(ASSUMING AVERAGE SALT DENSITY OF 2,160 LBS/YD):**

1 YARD = 3700LBS

3 YARD = 9700LBS

ARCTIC'S LIMITED 2 YEAR WARRANTY

What is Covered

This warranty covers defects in welds and workmanship, except as set forth below, from the date of purchase.

Who is Covered

The original purchaser from an authorized dealer.

What You Must Do For Warranty Service

During this period, the user is responsible for informing the Dealer/Distributor of any problem(s) within 10 days of the initial occurrence. The Dealer/Distributor must then notify the manufacturer by phone or e-mail.

Failure to fully complete the warranty registration form, with proof of purchase, within 30 days upon receipt of product will void warranty.

What is Not Covered

This warranty does not cover:

1. Failure resulting from abuse
2. Improper service
3. Misuse
4. Negligence
5. Accidental impact
6. Improper operation
7. Any design modifications
8. Any use of 3rd party wear parts
9. Wear parts (shoes, hardware, cutting edges, polyblocks)
10. Corrosion
11. Injury / Death
12. Loss of revenue or profit



To be covered under Arctic's Limited 2 Year Warranty, it is **mandatory** that you register your Arctic DoubleDown Salt Bucket™.

DO NOT FORGET TO REGISTER YOUR DOUBLEDOWN SALT BUCKET™.

Register at: arcticsnowproducts.com/warranty



LIMITED 2 YEAR WARRANTY POLICY

Manufacturer warrants the Salt Bucket to be free of defects of material and workmanship for a period of two (2) years from the date of delivery by the customer. During this period, the user is responsible for informing the manufacturer of any problems within 10 days of the problem(s). Dealer/ Distributor must notify the manufacturer by phone, fax or e-mail. The original warranty card must be returned to the manufacturer. (Failure to return a fully completed warranty registration card, with proof of purchase, within 30 days upon receiving a new Salt Bucket will void warranty.)

The manufacturer will not warranty any wear parts such as wear shoes, poly mounting blocks, torsion springs, hardware and cutting edges. Warranty excludes failure resulting from abusive

and improper service, misuse, negligence and accidental impact, including any non-factory repair or alteration. The manufacturer will void all warranties specific or implied.

All claims must be discussed with a representative of the manufacturer prior to any repairs, or warranty will be void. Recommended repairs and costs are to be discussed with and agreed upon by a manufacturer's representative. Repair or labor (at an agreed rate) will be performed by a manufacturer's specified dealer, and at a repair shop designated by the manufacturer. The repair or replaced product shall be guaranteed for the applicable warranty's remaining period. All shipping costs associated with any repairs are the customer's responsibility.

IMPORTANT

Fill out & save this section for your records

Date Purchased:	
Model Purchased:	
Serial Number:	

Dealer Name:	
Dealer Address:	
Dealer Phone#:	

OPERATING INSTRUCTIONS

- ⊕ Attach the bucket to the machine then connect the Quick Connectors.
- ⊕ Confirm the direction of fluid flow, a check valve is integrated into the Salt Bucket to prevent back flow.
- ⊕ To fill the bucket, approach a salt pile and fill in multiple moderate scoops.
- ⊕ Before applying hydraulic power, configure speed settings for the Auger and Spinners. Start low and increase as needed. Suggest starting with both control valves at a setting of 3.
- ⊕ To change control valve setting, loosen the lock knob. Move the handle to the position desired. Lock knob shaft will point to setting.
- ⊕ Move to an open area and apply hydraulic power. Make note of the maximum spread of the salt.
- ⊕ Remove hydraulic power before exiting machine. Adjust Spinner control valve to increase or decrease spread of salt.
- ⊕ Increase or decrease Auger control valve to change the coverage of salt. A higher Auger setting will deposit more salt.
- ⊕ If surging occurs, adjust control valve positions slightly to avoid hydraulic resonance conditions.
- ⊕ When finished remove all salt from the Salt Bucket. Remaining salt may solidify and lock up the augers.

1 YARD DOUBLEDOWN SALT BUCKET™ REAR VIEW

Add the following suffix to parts and hardware to specify coating:

Bucket Parts

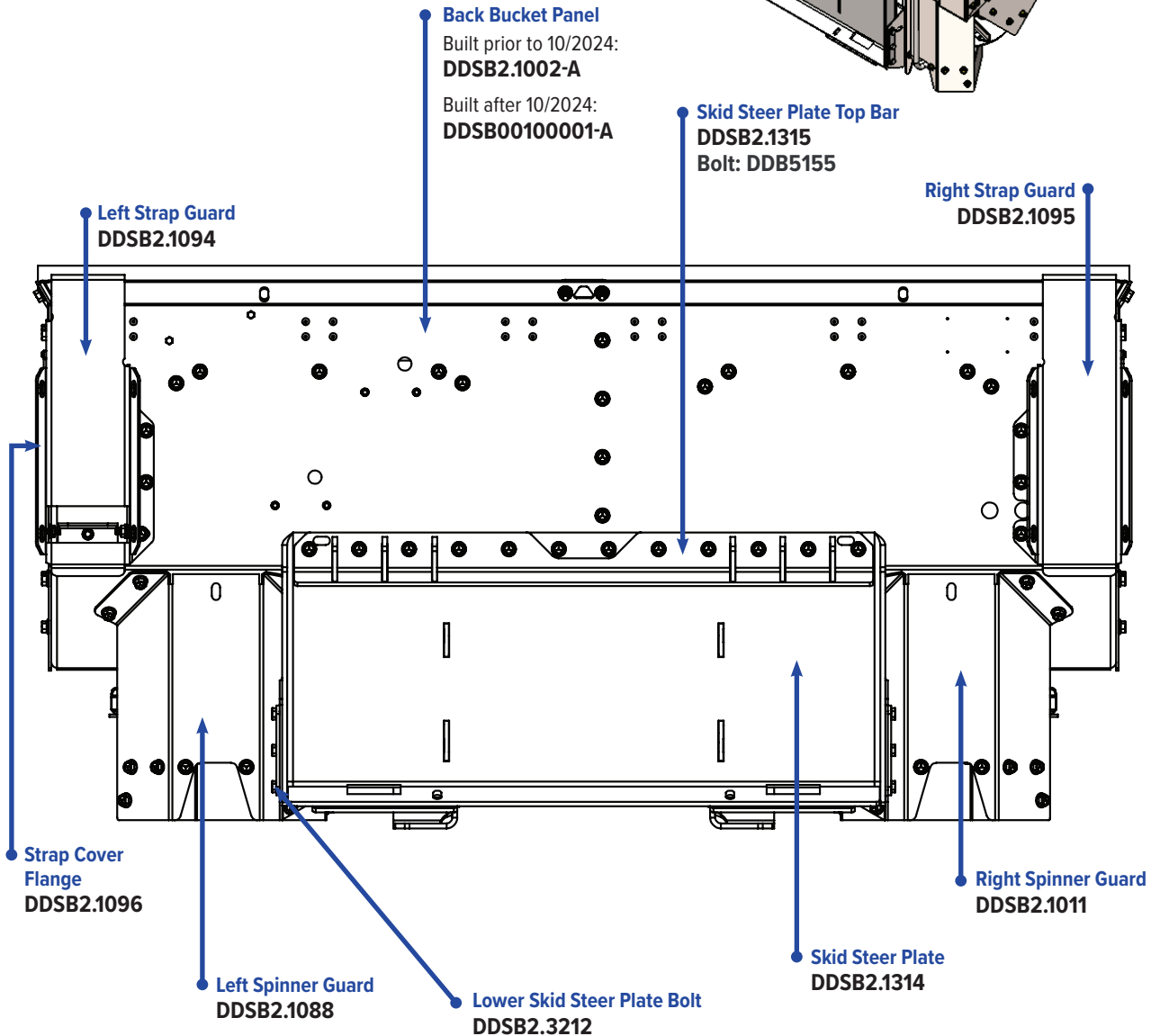
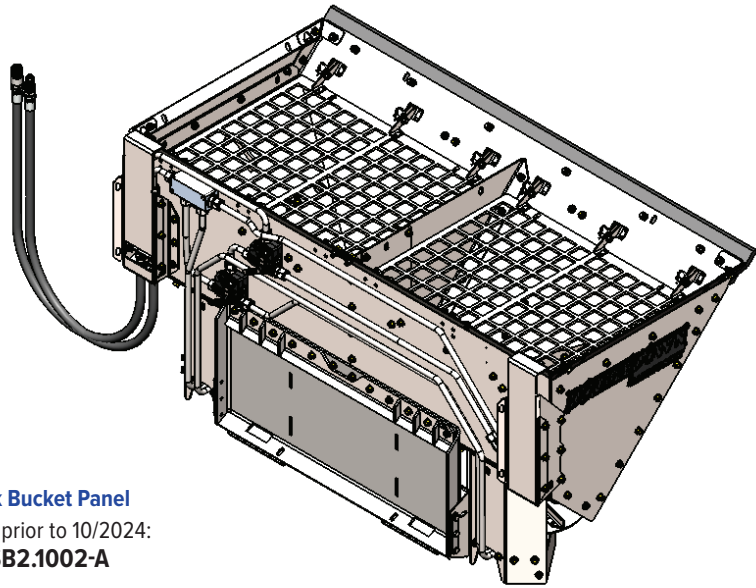
- P = Powder Coated
- G = Galvanized
- S = Stainless

Hardware

- CZ = Clear Zinc
- YZ = Yellow Zinc
- S = Stainless

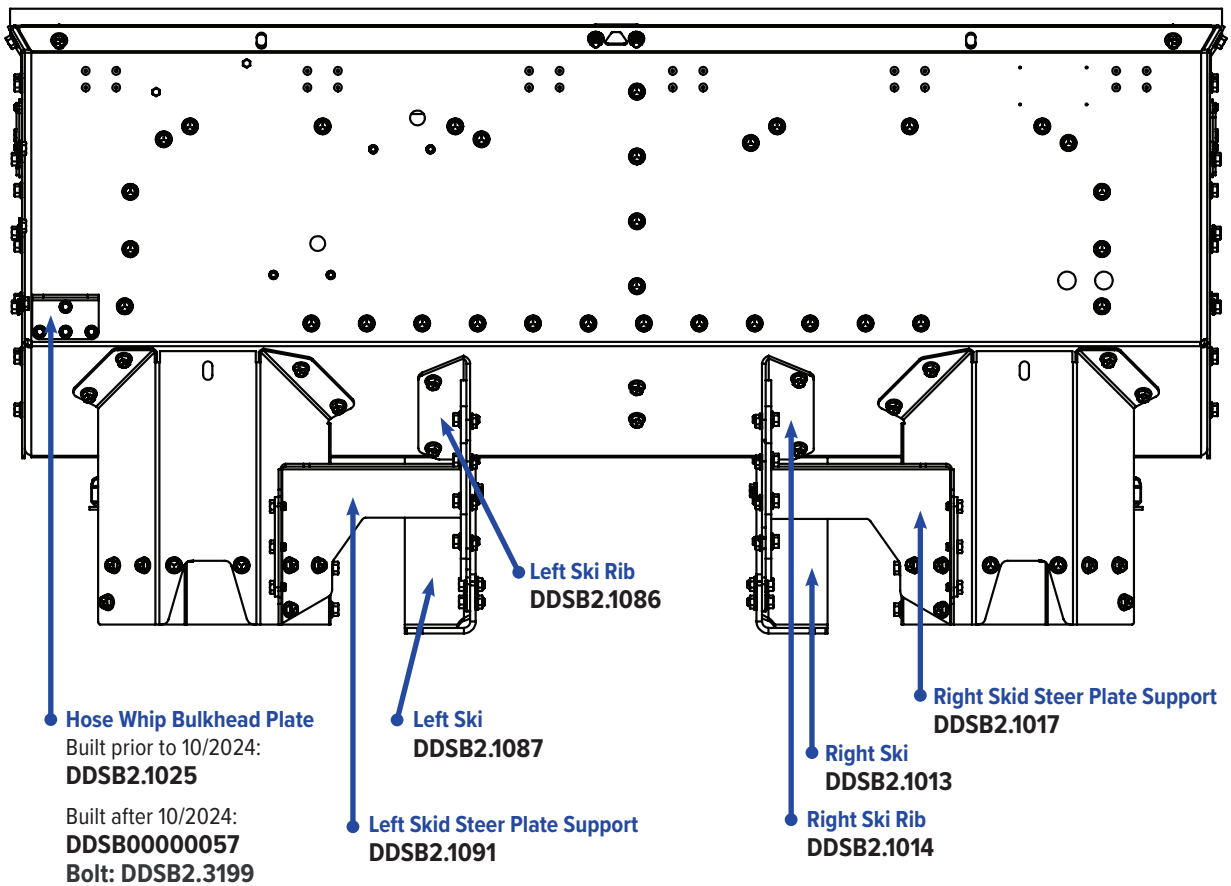
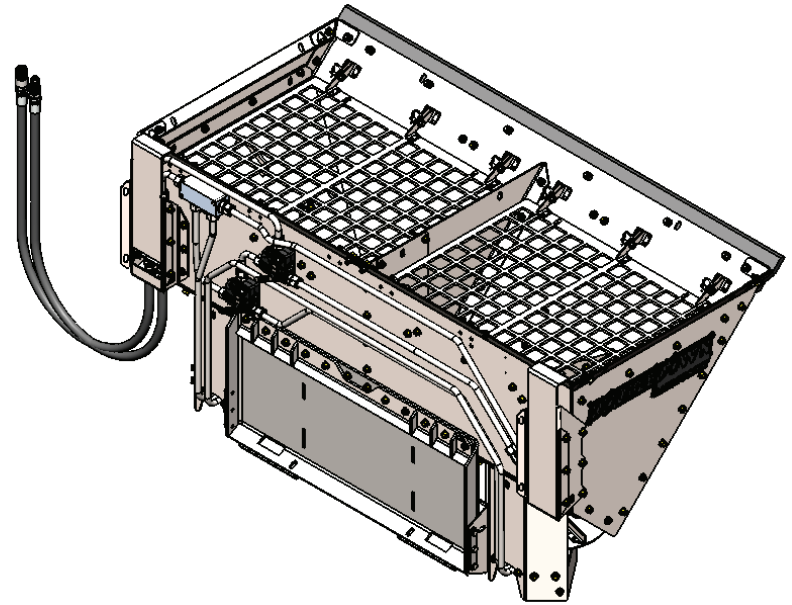
Bucket Hardware

- DDB5154: 1/2-13 x 1.25" Flange Bolt
- DDB2.3193: 1/2-13 Flange Nut

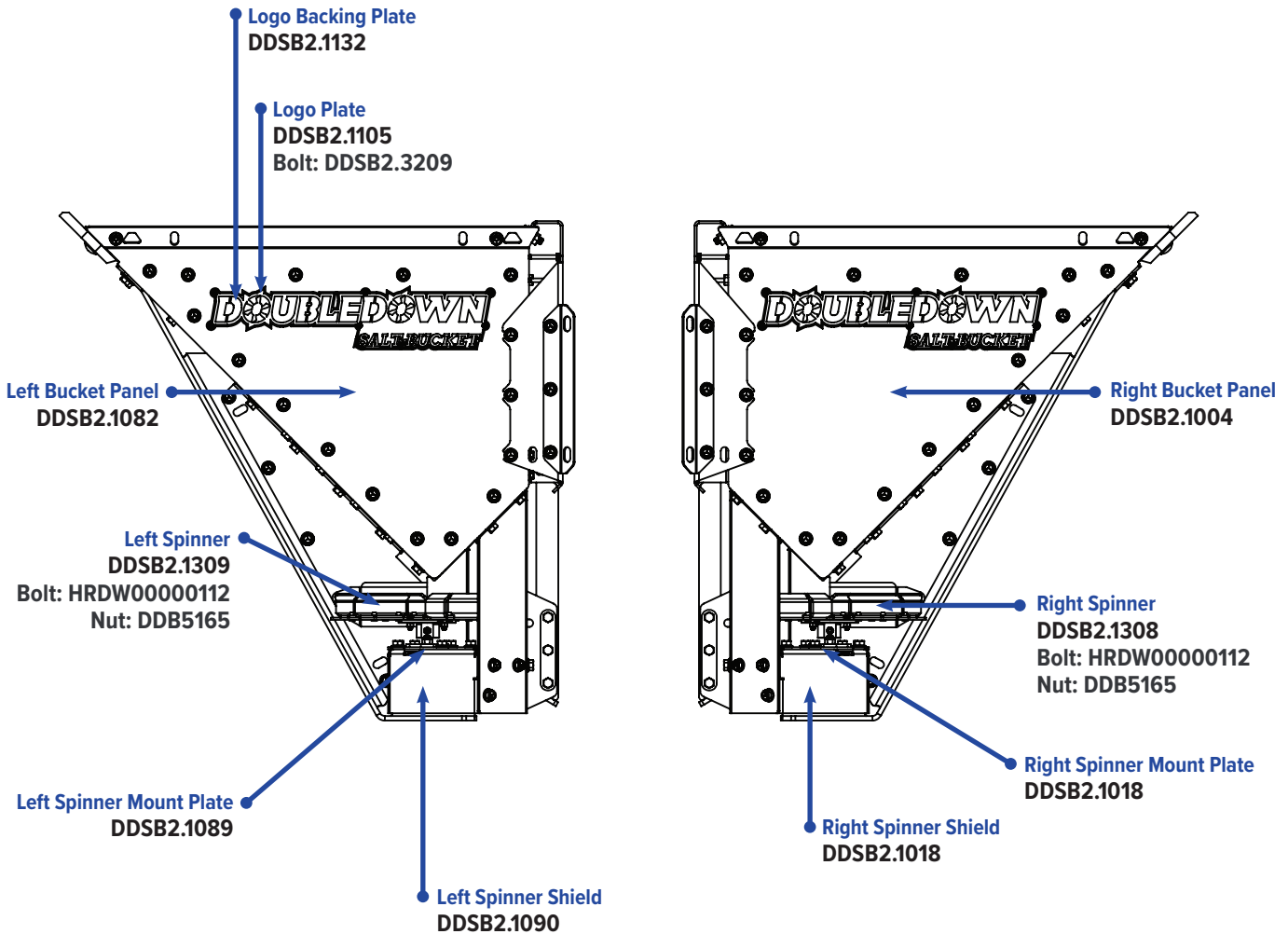
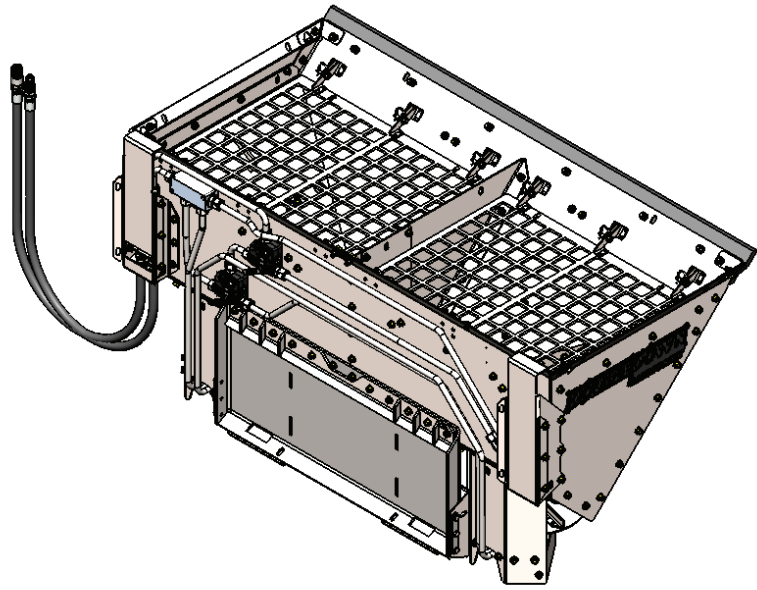


1 YARD DOUBLEDOWN SALT BUCKET™ REAR VIEW

w/ PANELS REMOVED

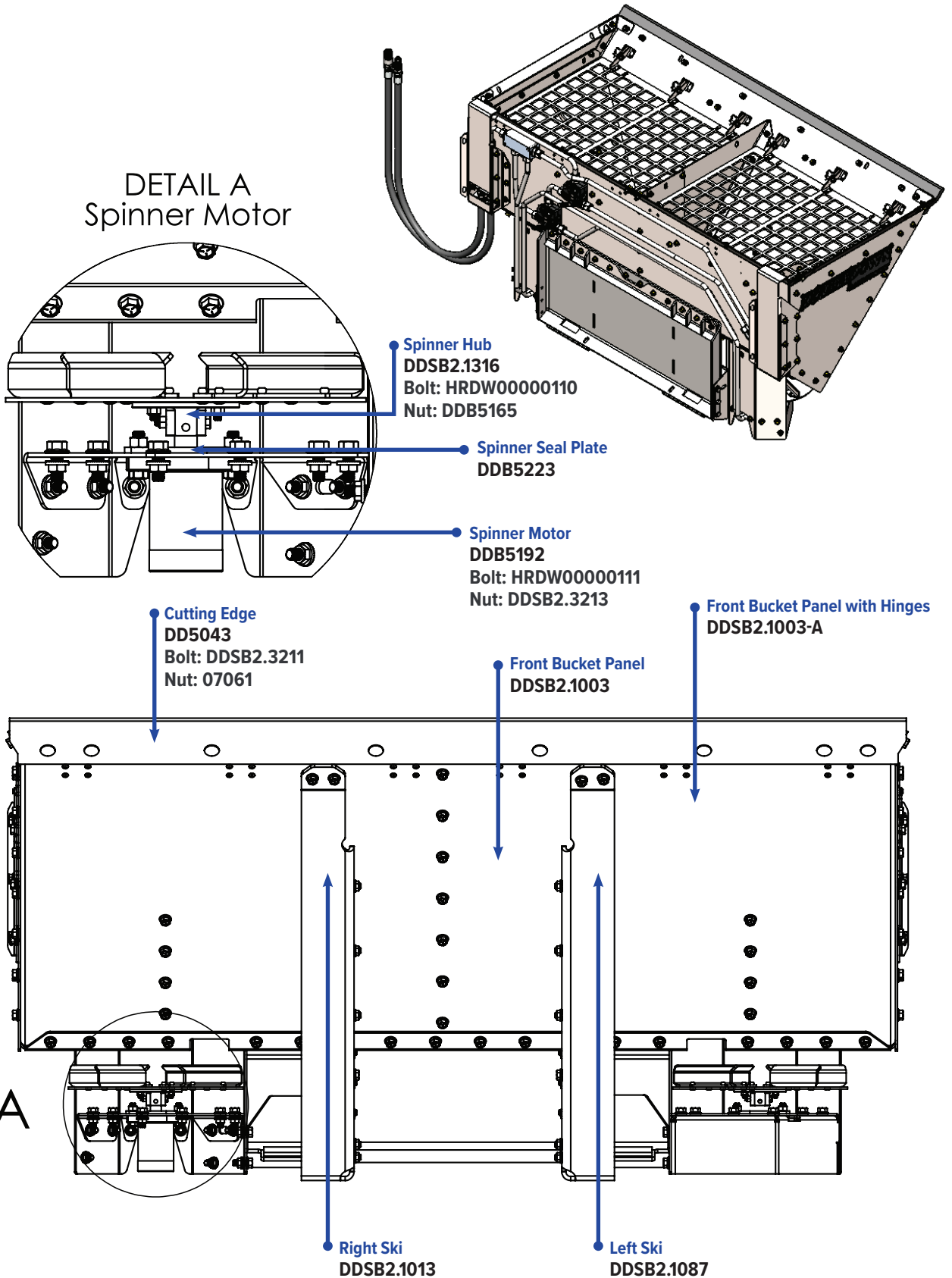


1 YARD DOUBLEDOWN SALT BUCKET™ SIDE VIEW

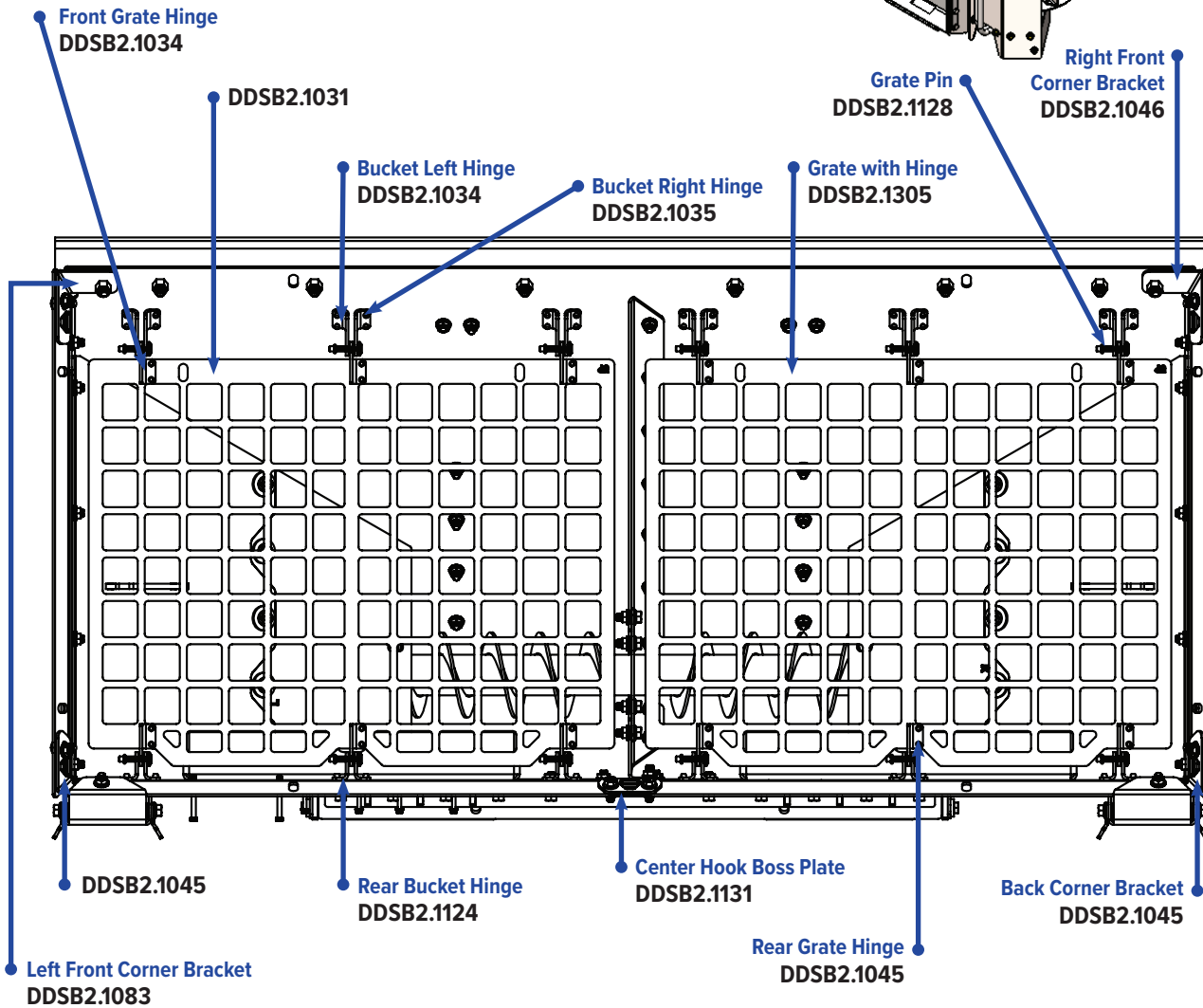
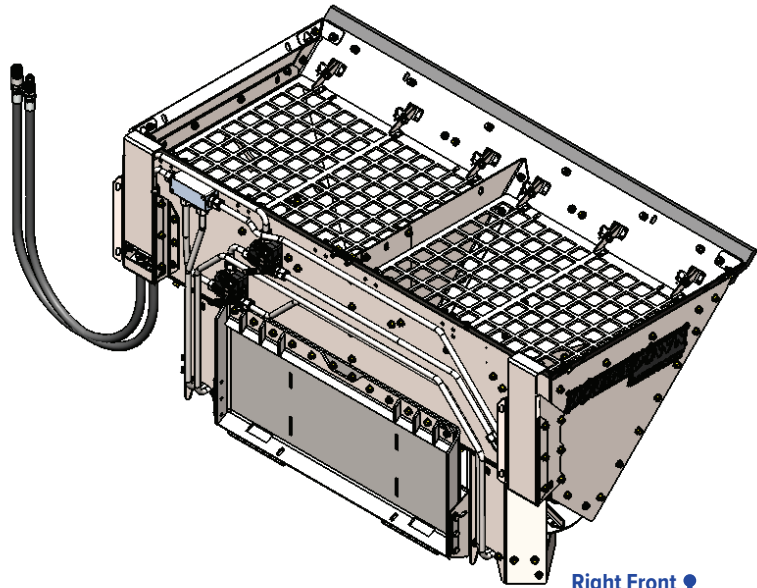


1 YARD DOUBLEDOWN SALT BUCKET™ FRONT VIEW

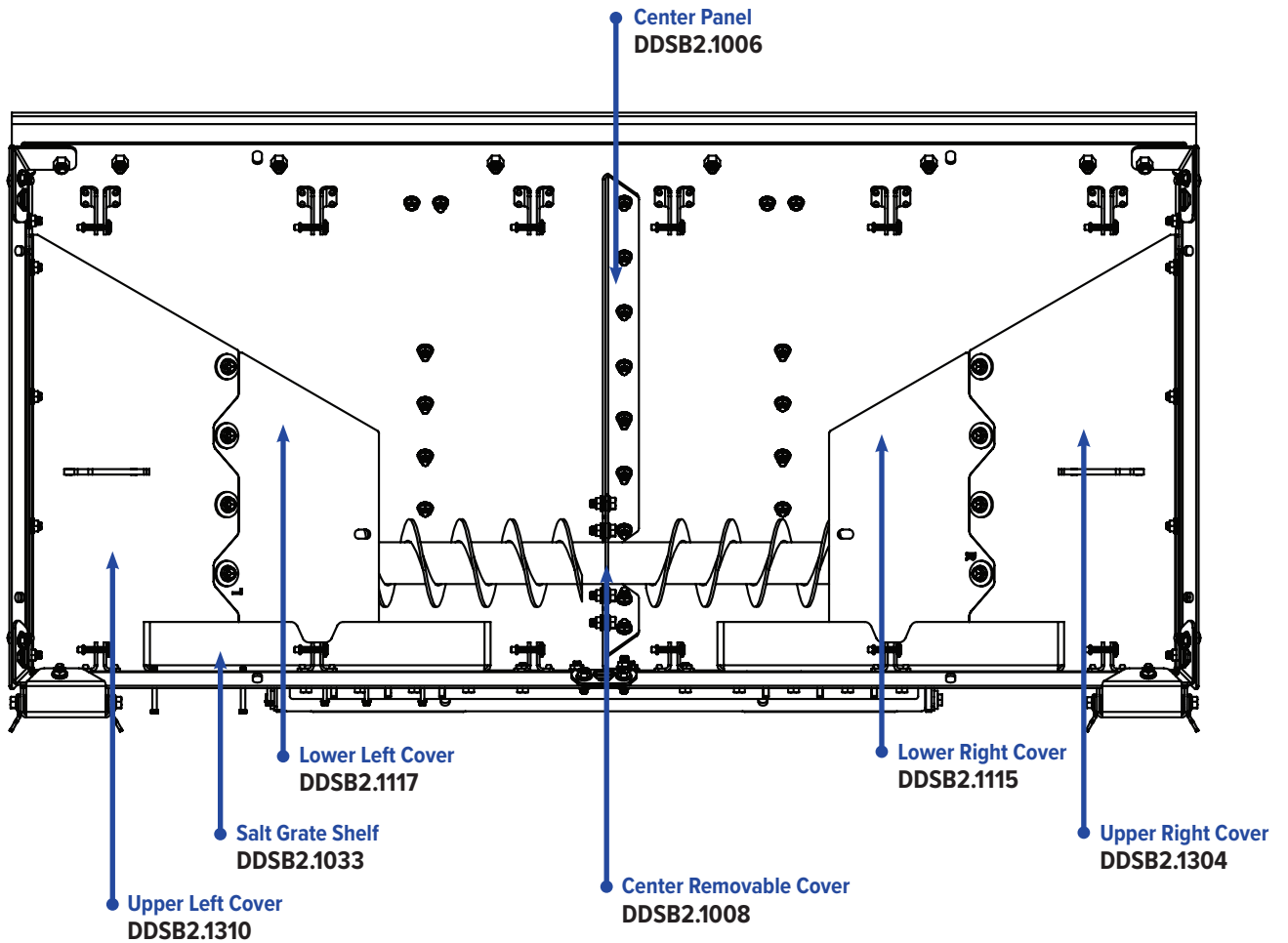
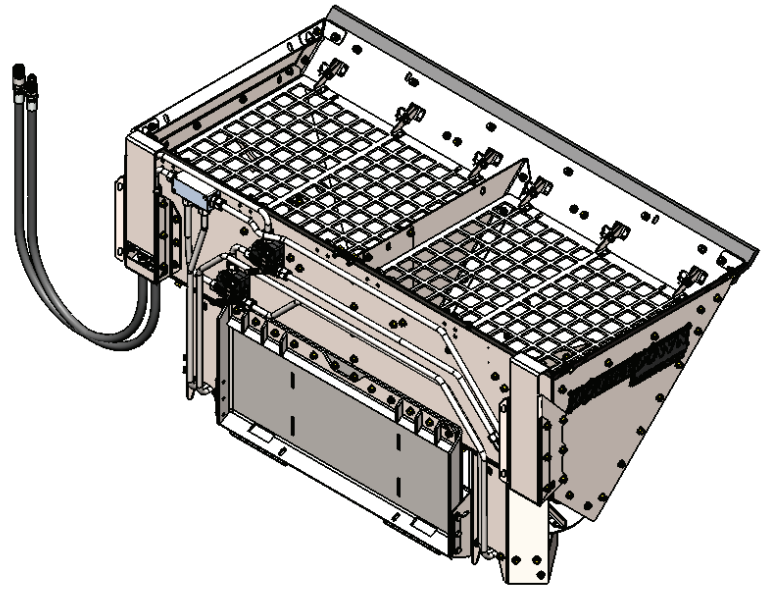
DETAIL A
Spinner Motor



1 YARD DOUBLEDOWN SALT BUCKET™ TOP VIEW

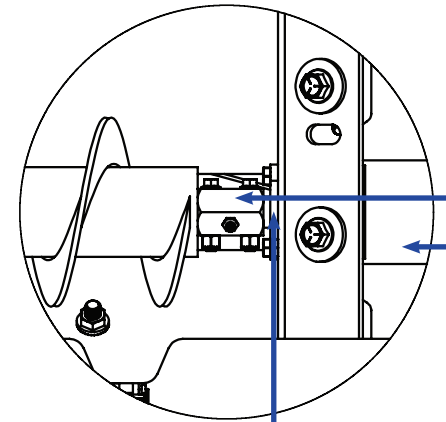
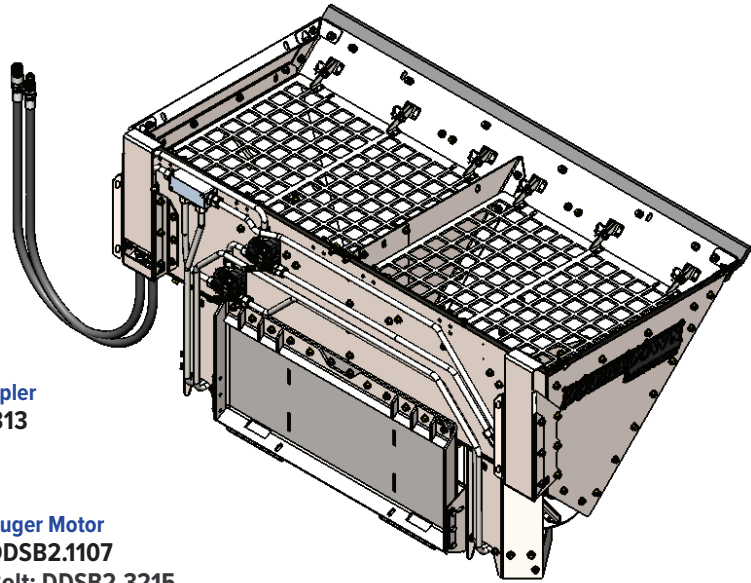


1 YARD DOUBLEDOWN SALT BUCKET™ TOP VIEW w/ GRATES REMOVED



1 YARD DOUBLEDOWN SALT BUCKET™ TOP VIEW w/ PANELS REMOVED

DETAIL B Auger Motor

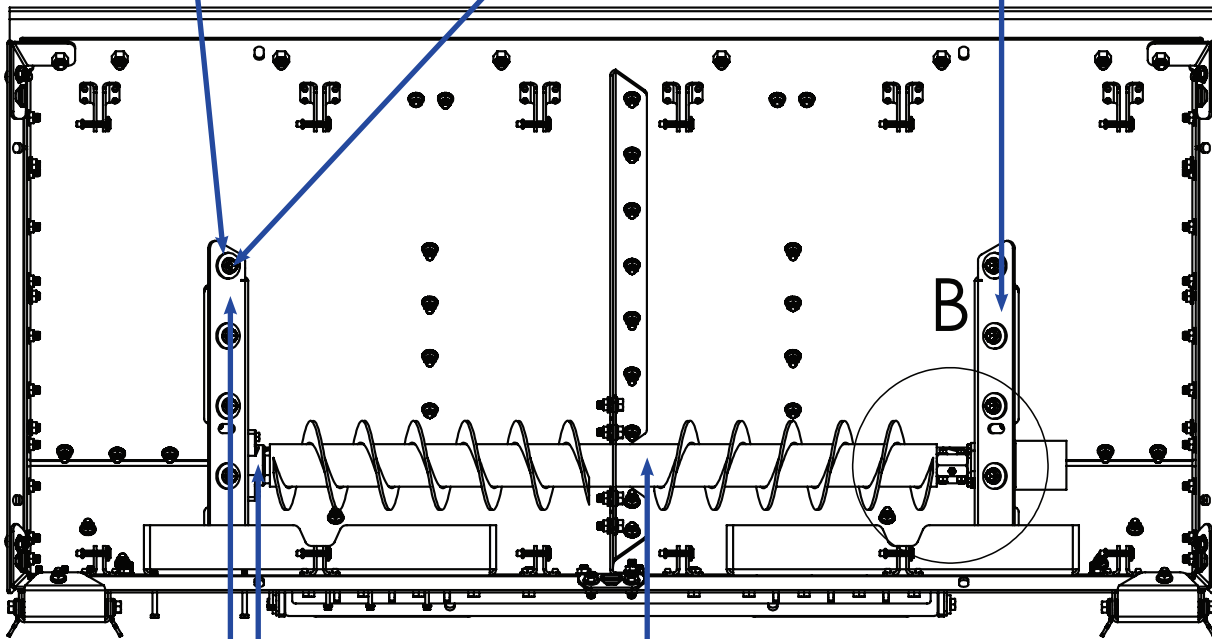


Large Washer for Covers
DDSB2.1109

Auger Seal Plate
DDSB2.1312

Bolts for Covers
DDSB2.1109

Motor Mounting Plate
DDSB2.1007



Auger Bearing
DD5049
Bolt: DDSB2.3216
Nut: DDSB2.3201

Auger Mounting Plate
DDSB2.1005

Auger
DDSB2.1302-S



3 YARD DOUBLEDOWN SALT BUCKET™ REAR VIEW

Add the following suffix to parts and hardware to specify coating:

Bucket Parts

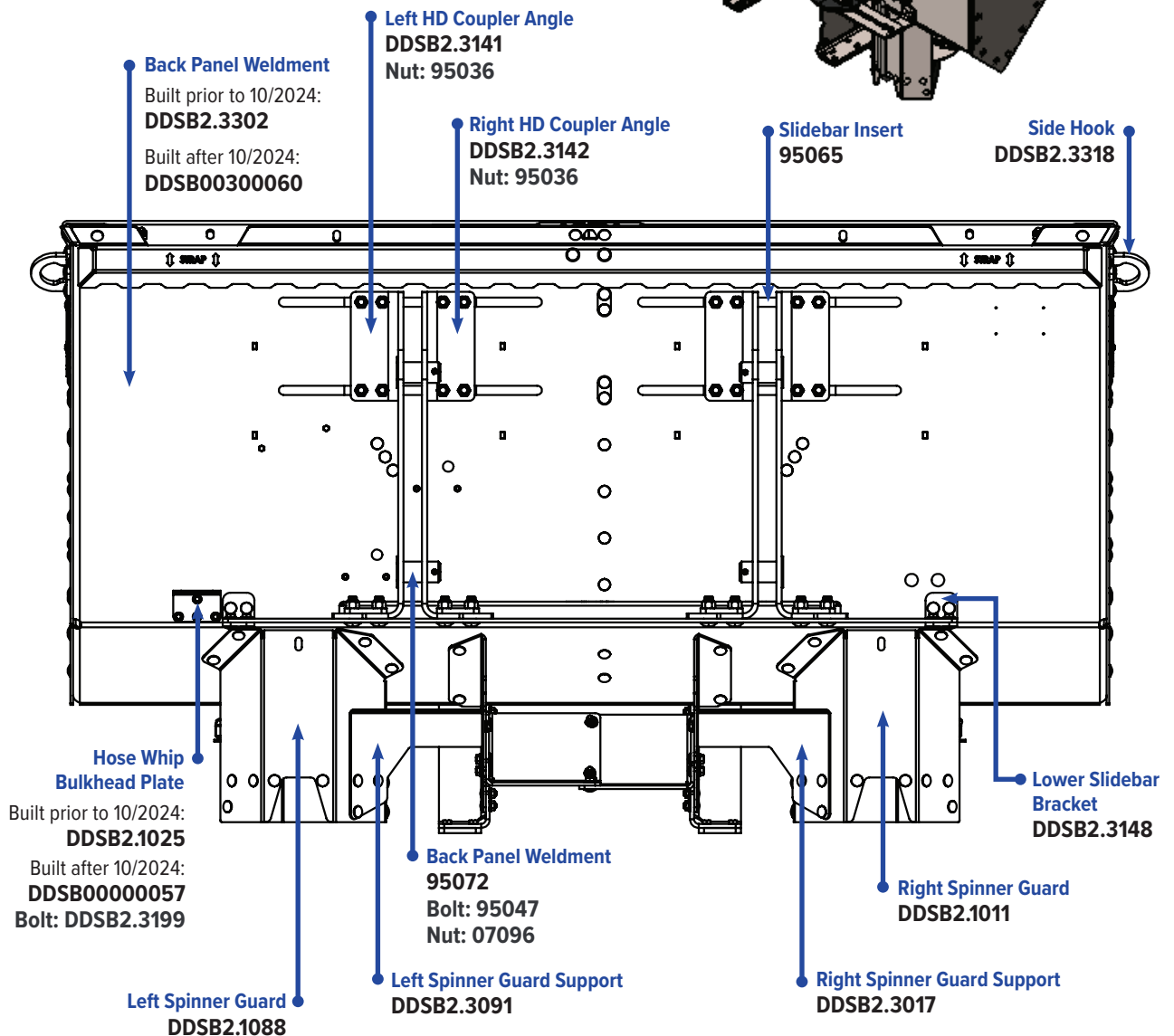
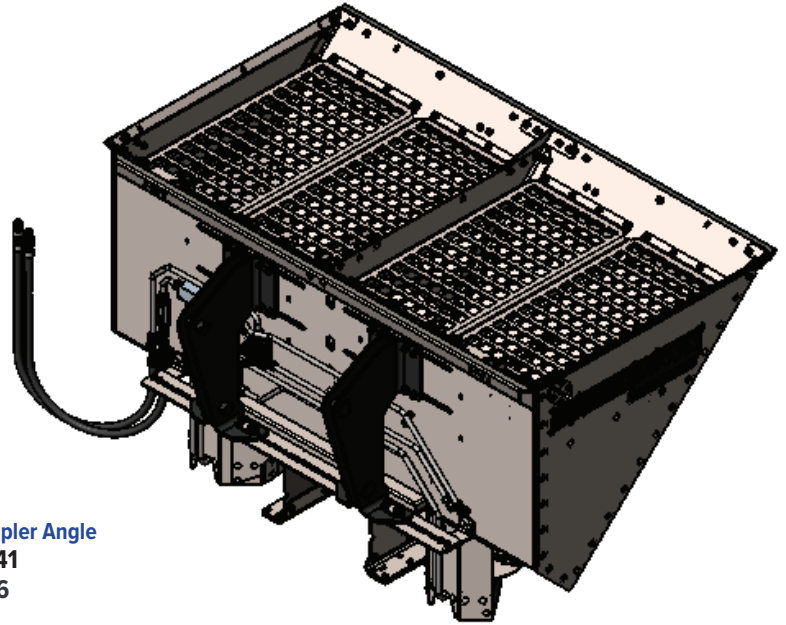
- P = Powder Coated
- G = Galvanized
- S = Stainless

Hardware

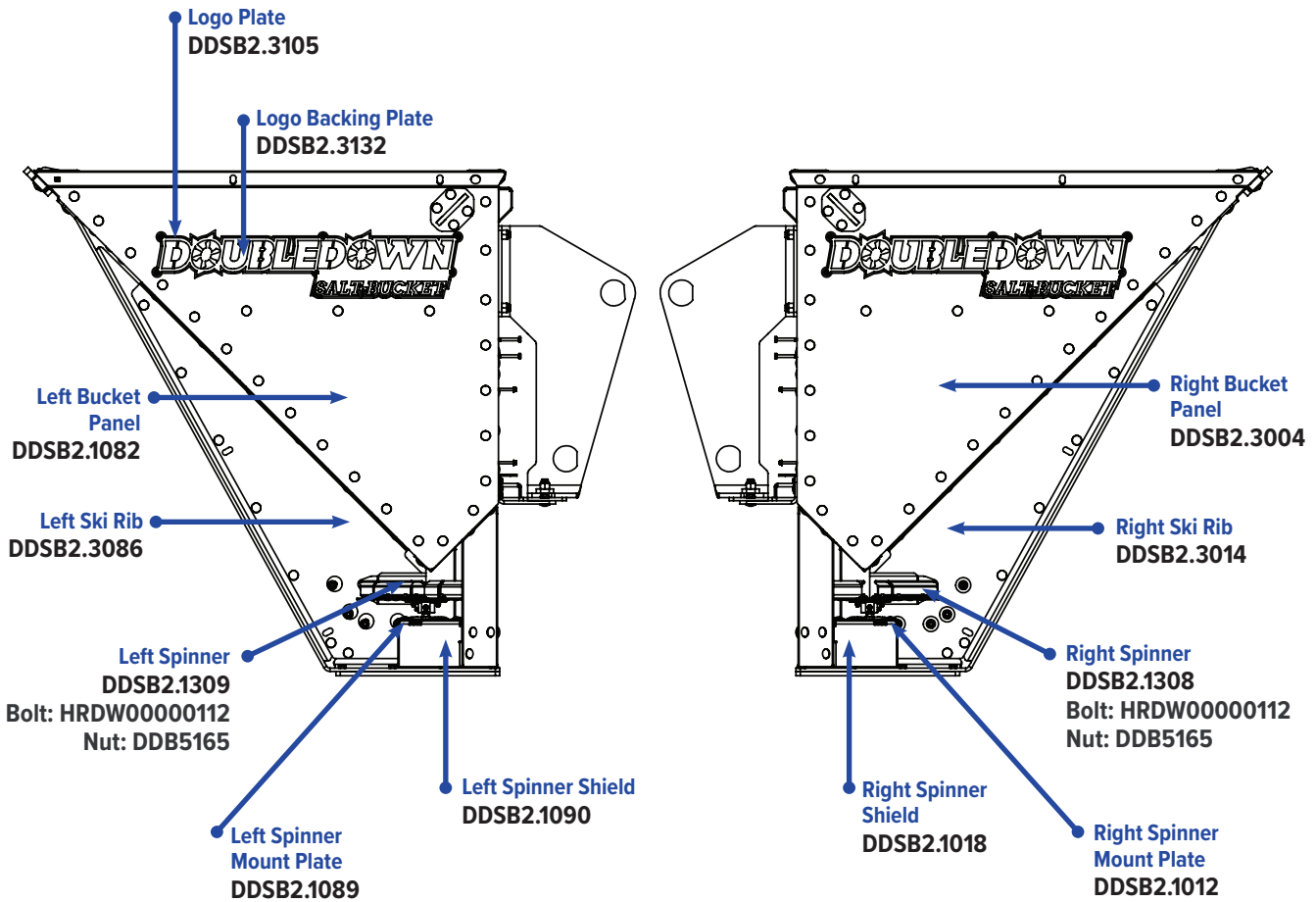
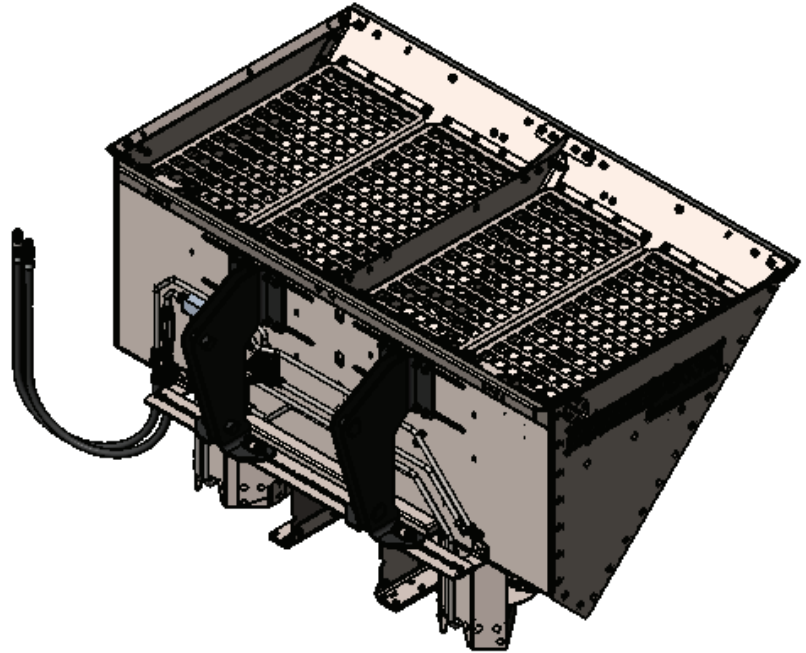
- CZ = Clear Zinc
- YZ = Yellow Zinc
- S = Stainless

Bucket Hardware

- DDSB2.3194: 1/2-13 x 1" Carriage Bolt
- DDSB2.3195: 1/2-13 x 1.25" Carriage Bolt
- DDSB2.3206: 1/2-13 x 2" Carriage Bolt
- DDB2.3193: 1/2-13 Flange Nut

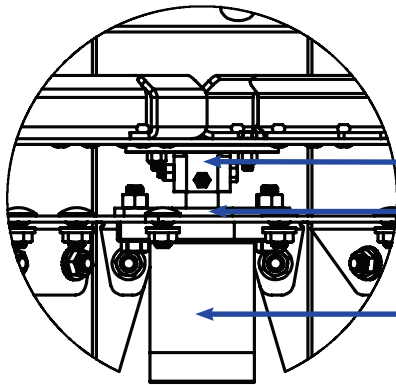


3 YARD DOUBLEDOWN SALT BUCKET™ SIDE VIEW

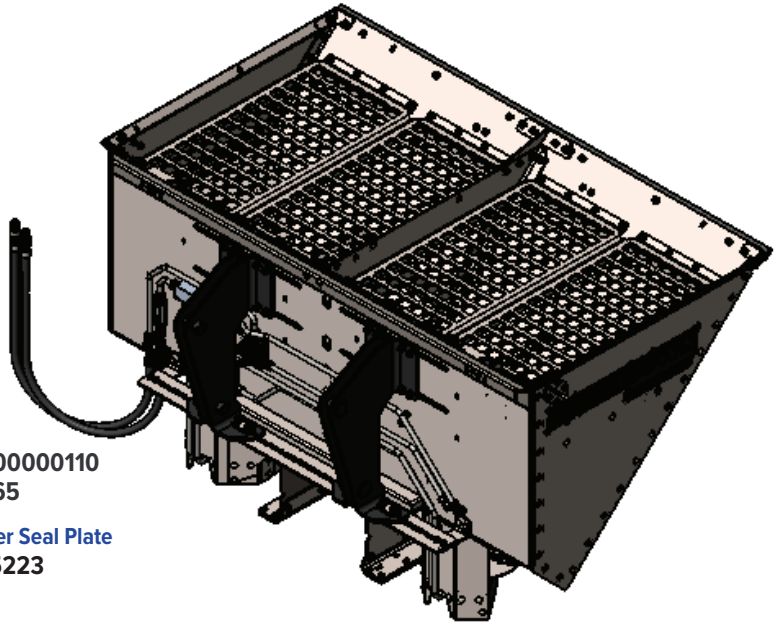


3 YARD DOUBLEDOWN SALT BUCKET™ FRONT VIEW

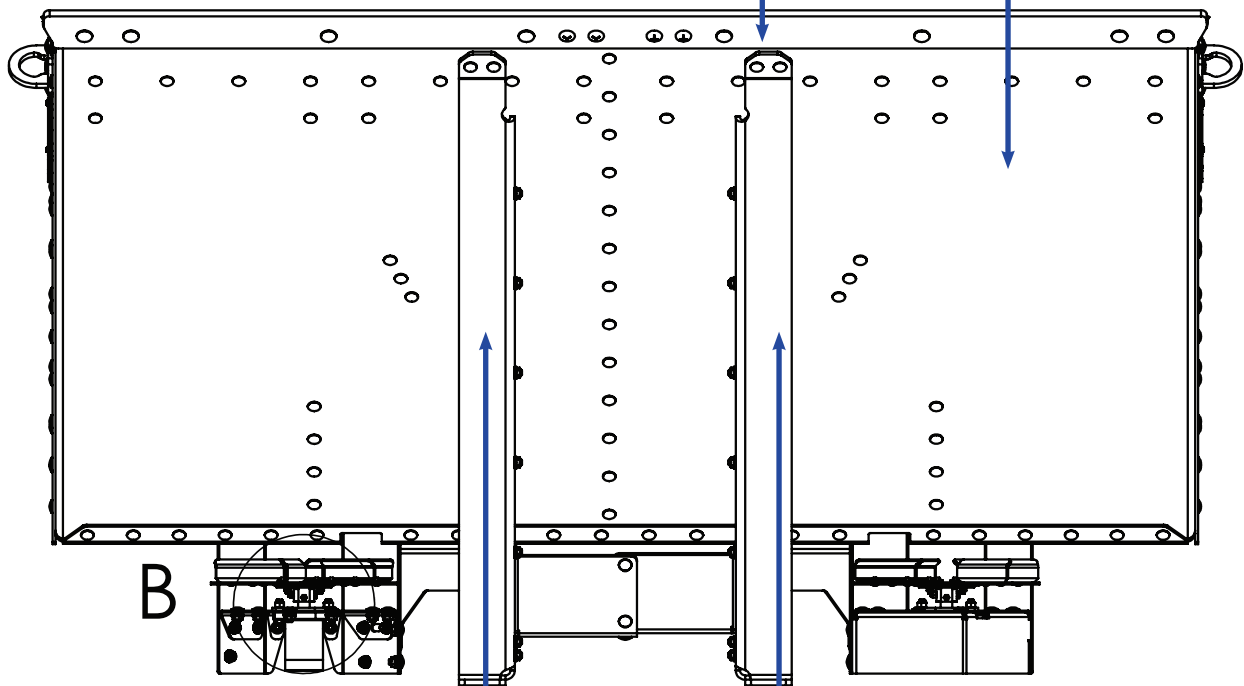
DETAIL B Spinner Motor



- **Spinner Hub**
DDSB2.1316
Bolt: HRDW00000110
Nut: DDB5165
- **Spinner Seal Plate**
DDB5223
- **Spinner Motor**
DDB5192
Bolt: HRDW00000111
Nut: DDSB2.3213



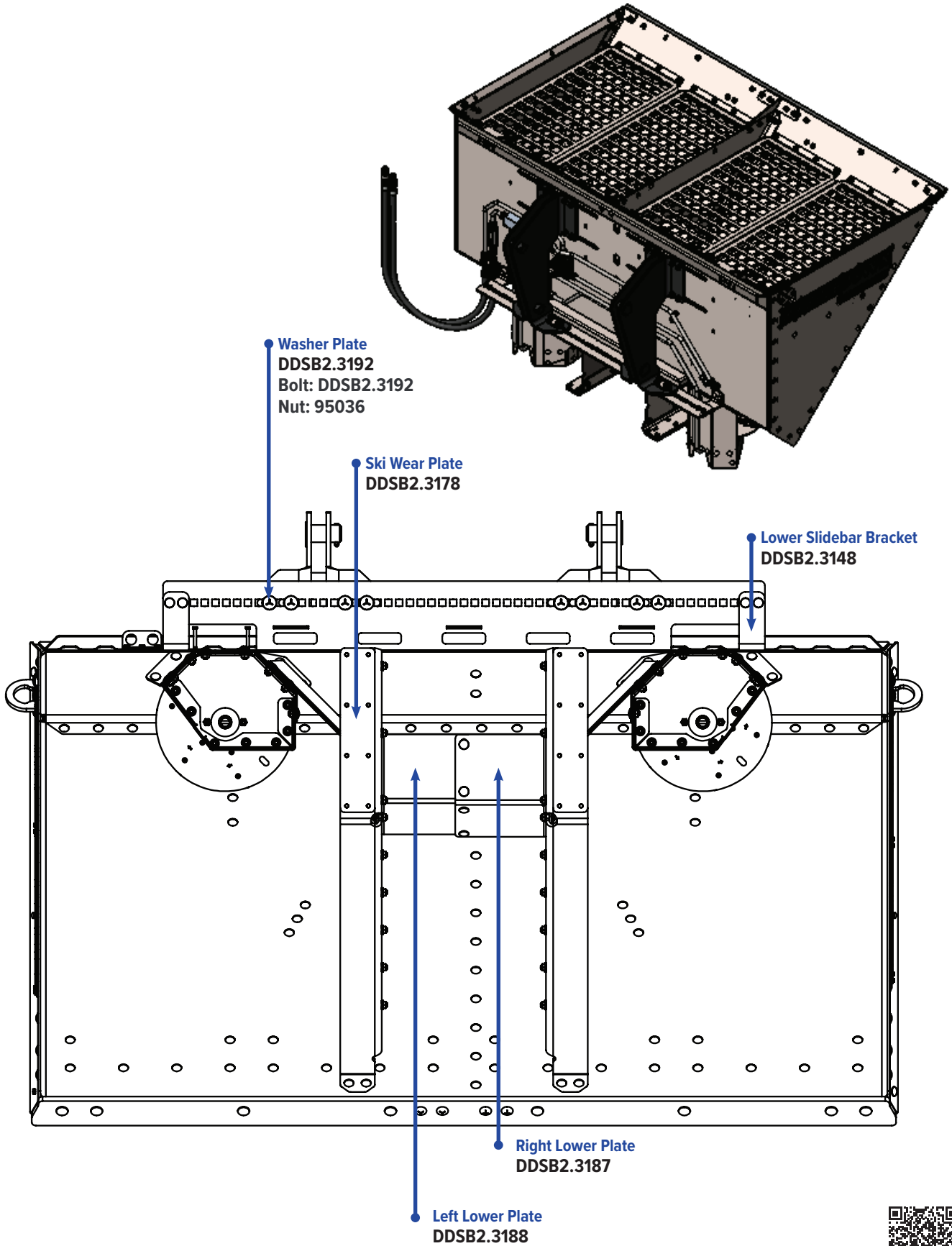
- **Cutting Edge**
DDSB2.3149
Bolt: DDSB2.3211
Nut: DDB5165
- **Front Bucket Panel**
DDSB2.3003



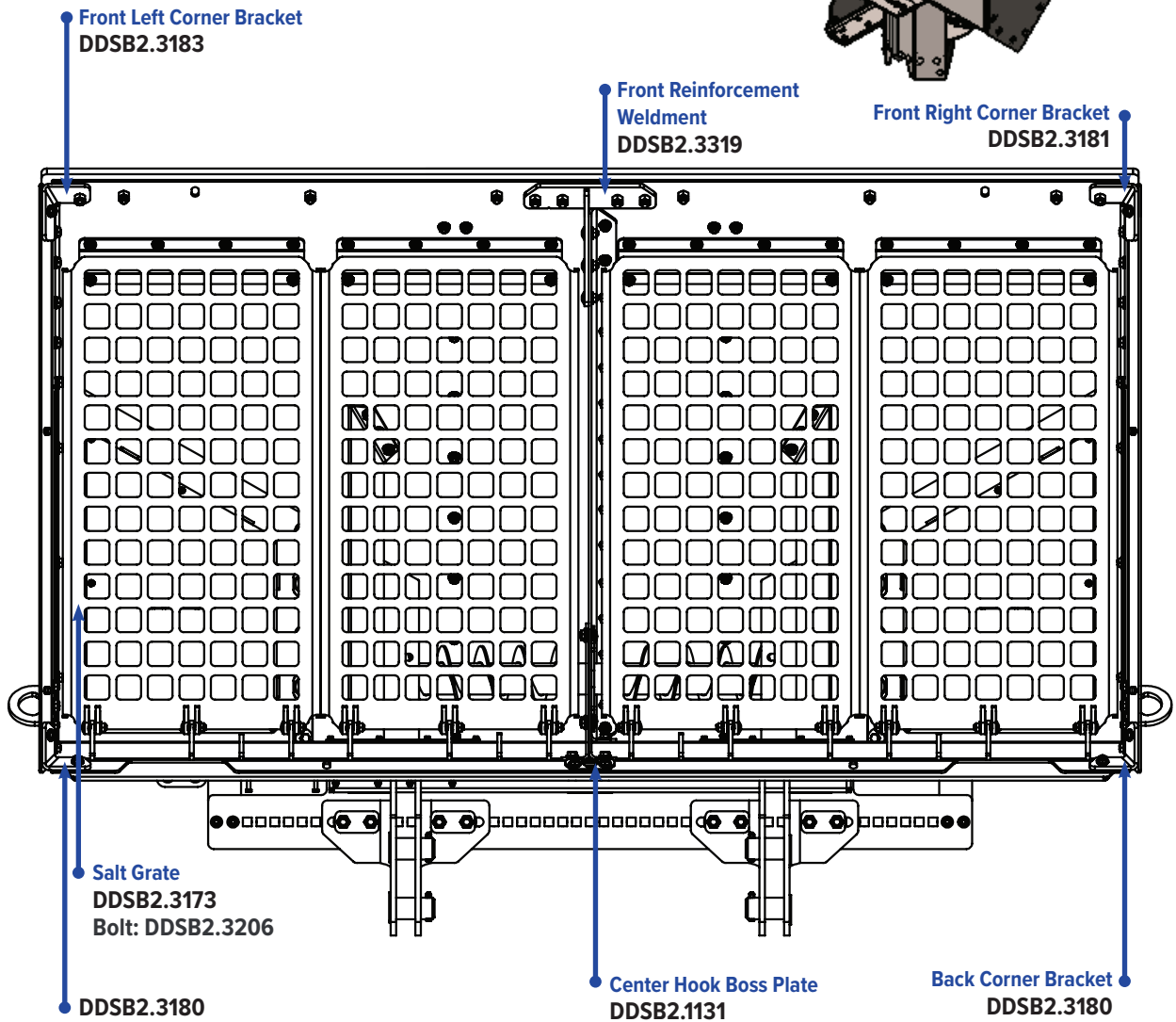
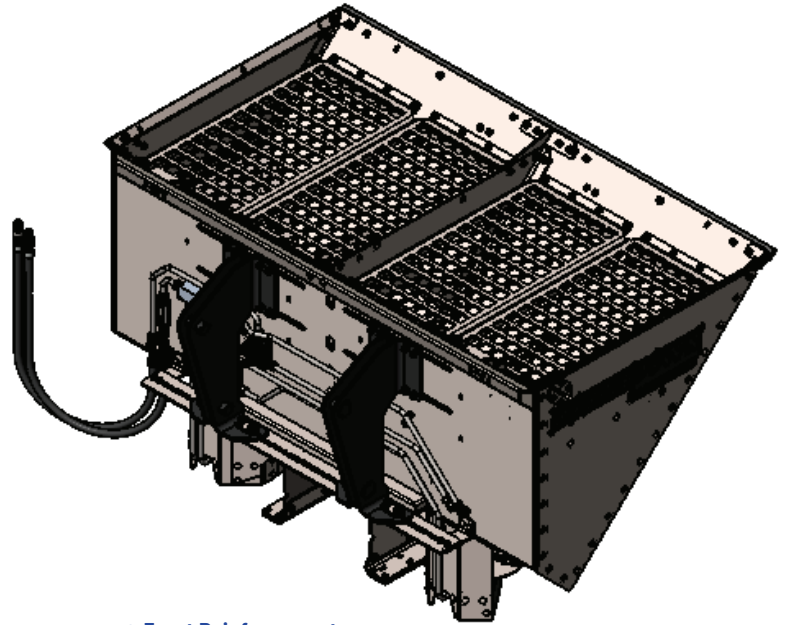
B

- **Right Ski**
DDSB2.3013
- **Left Ski**
DDSB2.3087

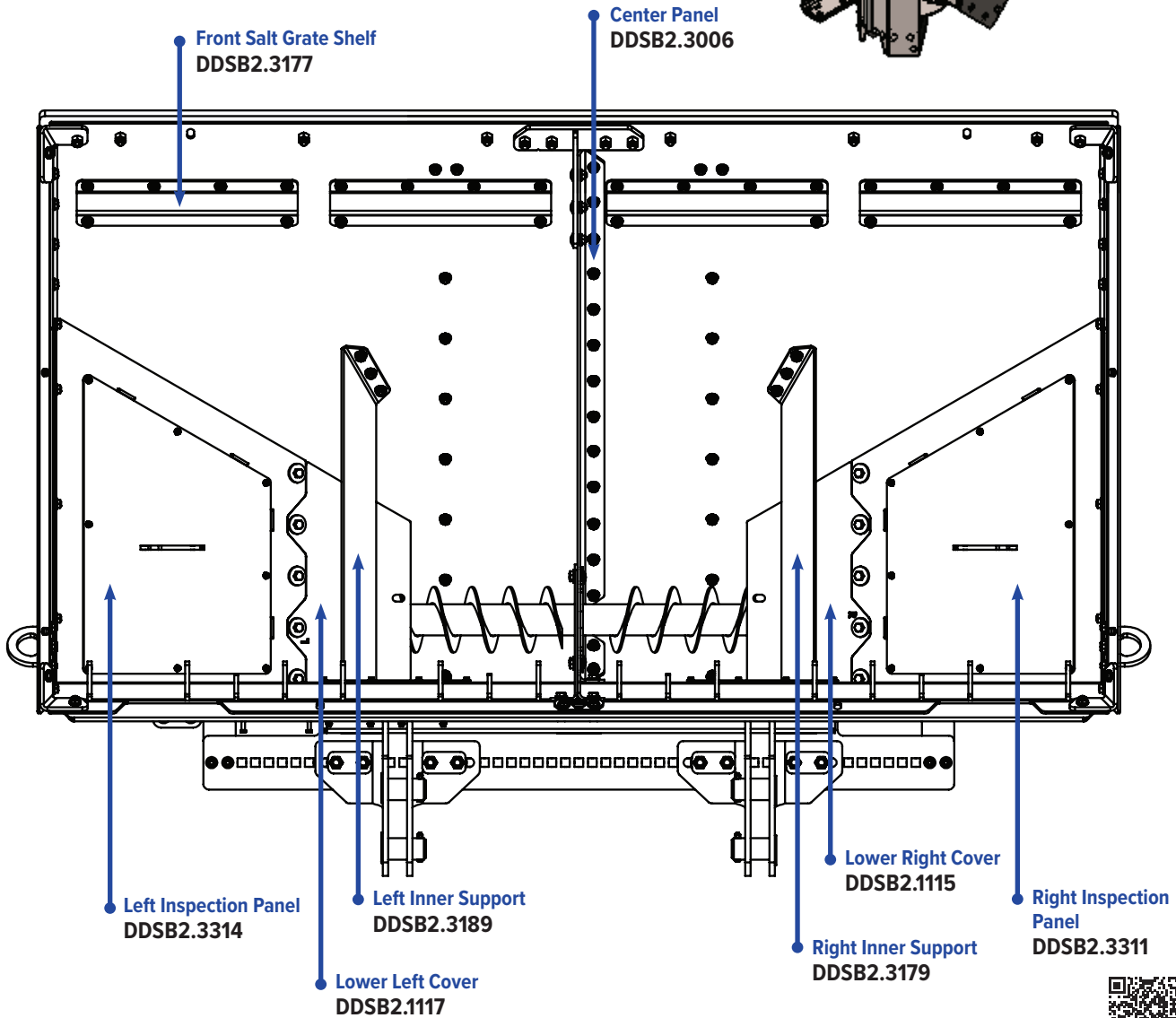
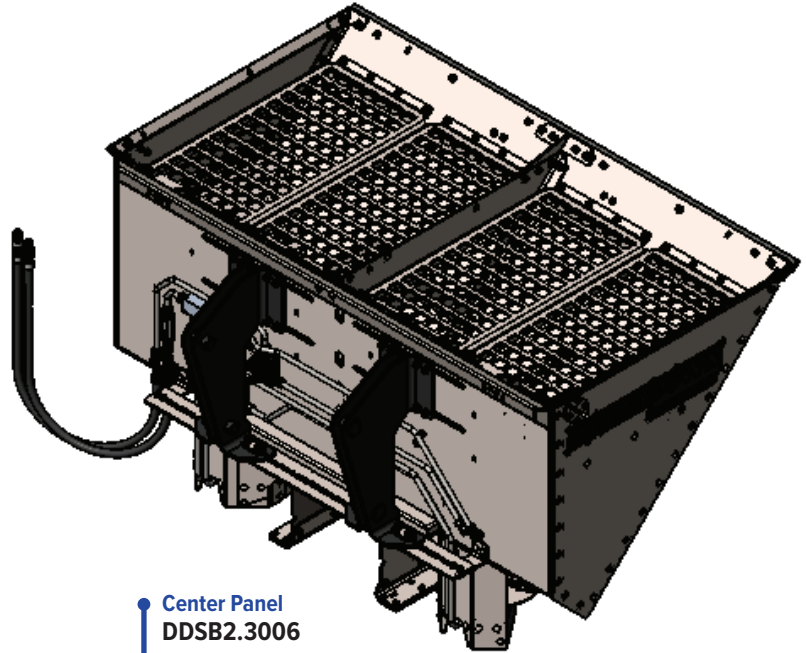
3 YARD DOUBLEDOWN SALT BUCKET™ BOTTOM VIEW



3 YARD DOUBLEDOWN SALT BUCKET™ TOP VIEW

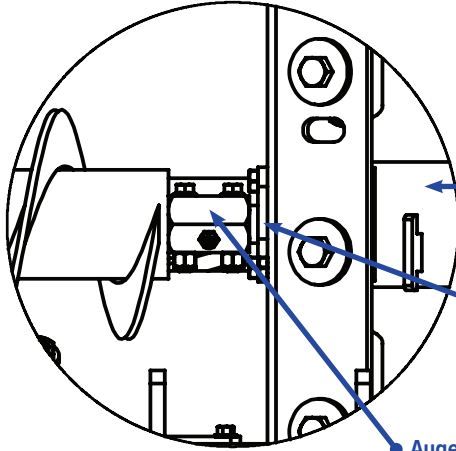


3 YARD DOUBLEDOWN SALT BUCKET™ TOP VIEW w/ GRATES REMOVED



3 YARD DOUBLEDOWN SALT BUCKET™ REAR VIEW

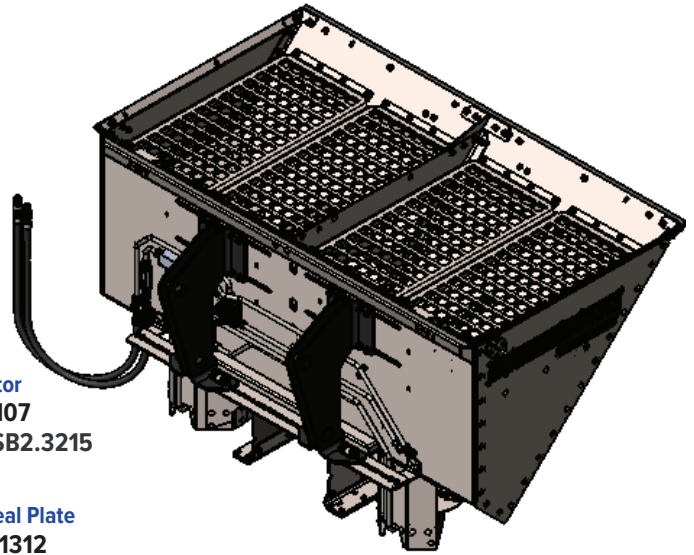
DETAIL A
Auger Motor



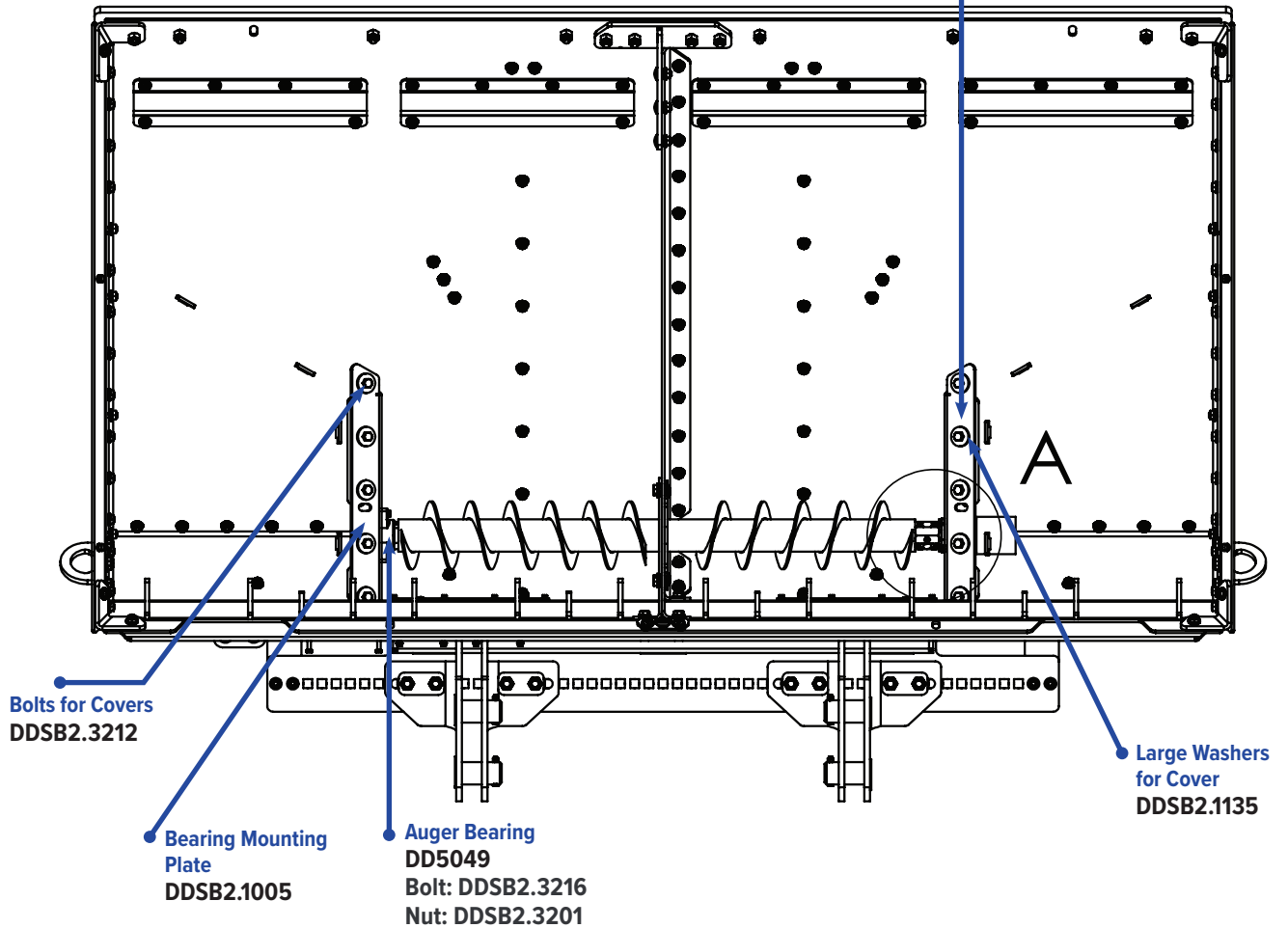
Auger Motor
DDSB2.1107
Bolt: DDSB2.3215

Auger Seal Plate
DDSB2.1312

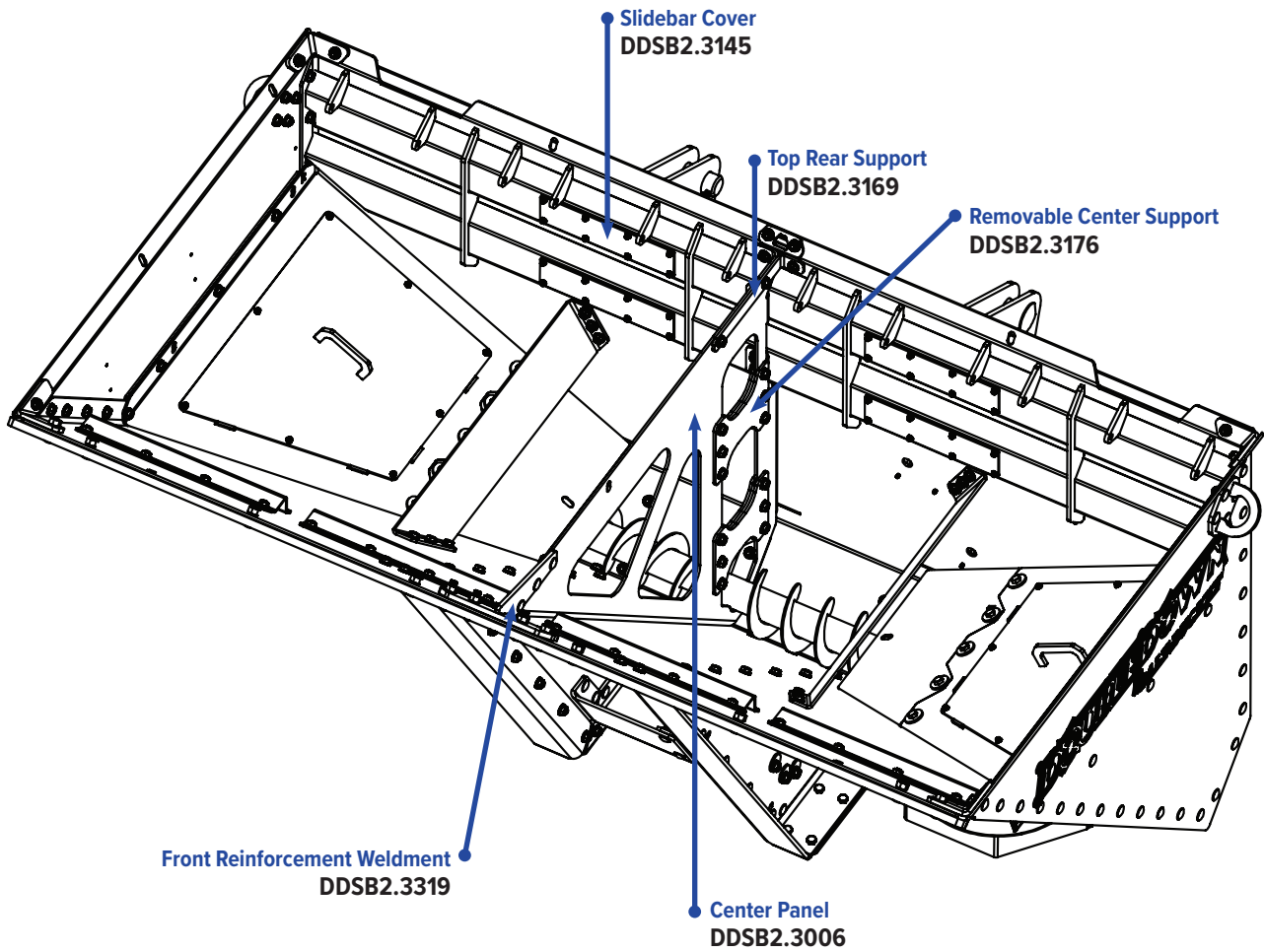
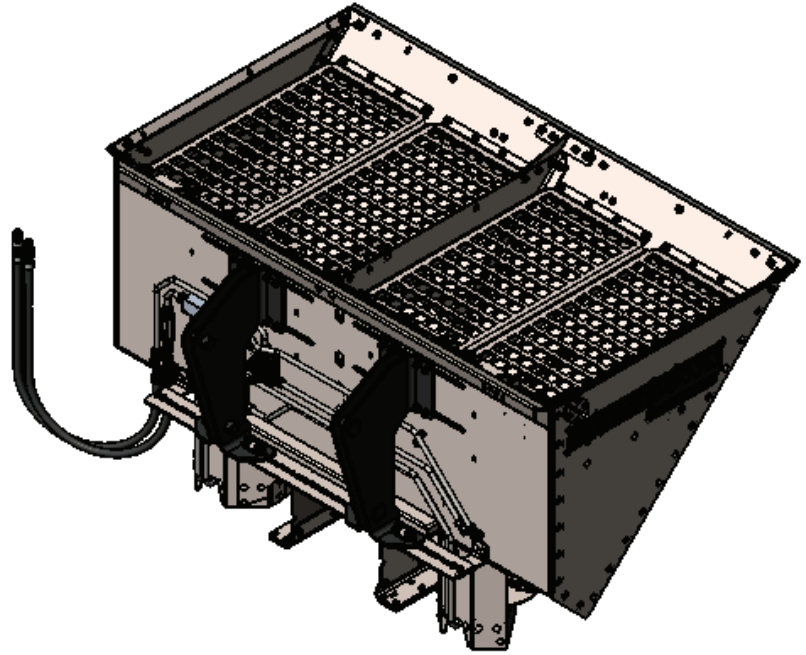
Auger Coupler
DDSB2.1313



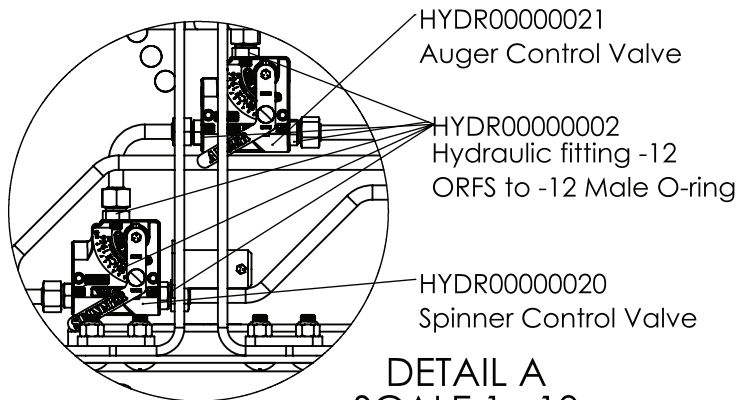
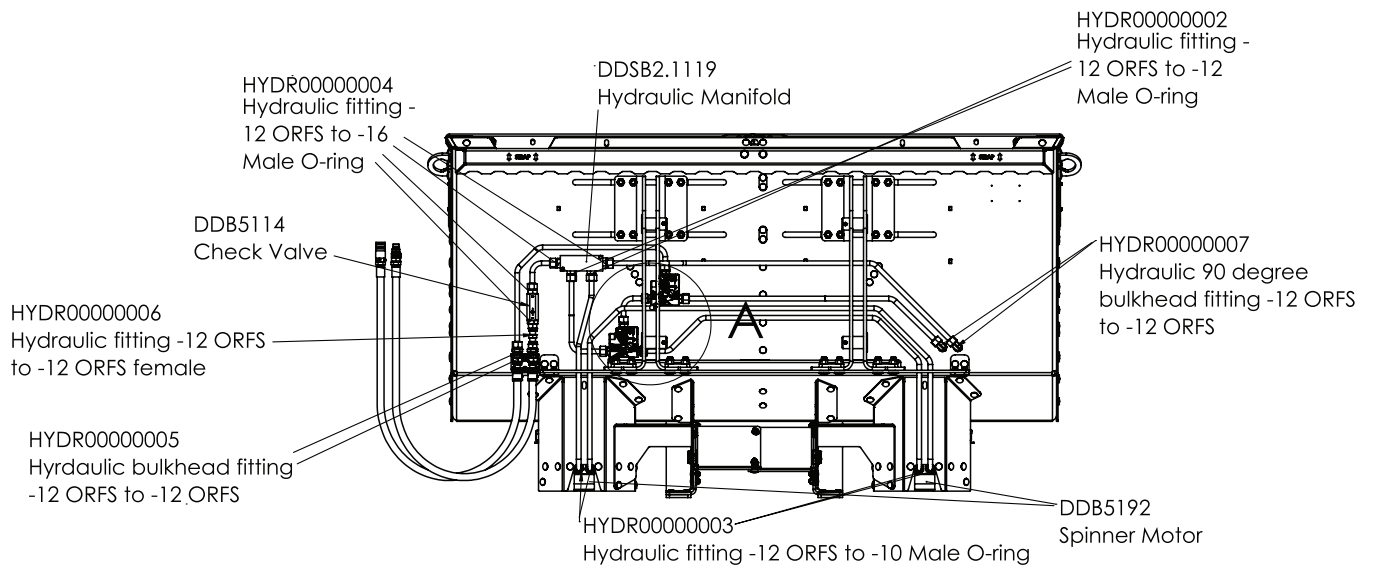
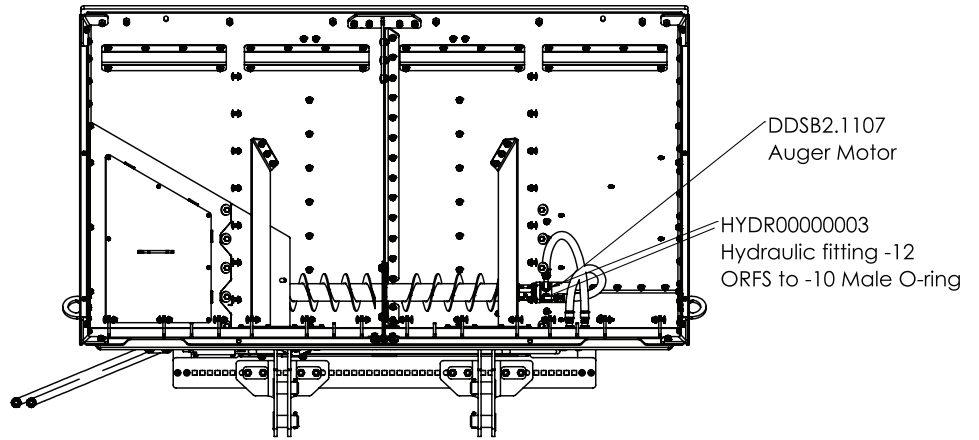
Motor Mounting Plate
DDSB2.1007



3 YARD DOUBLEDOWN SALT BUCKET™ INNER VIEW



1 & 3 YARD DOUBLEDOWN SALT BUCKET™ HYDRAULIC COMPONENTS – ORFS

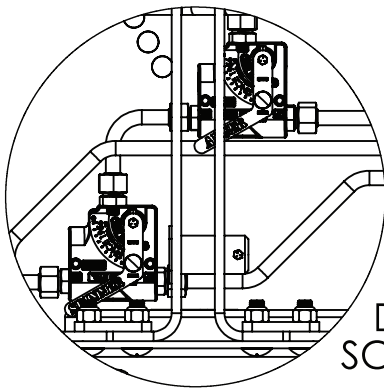
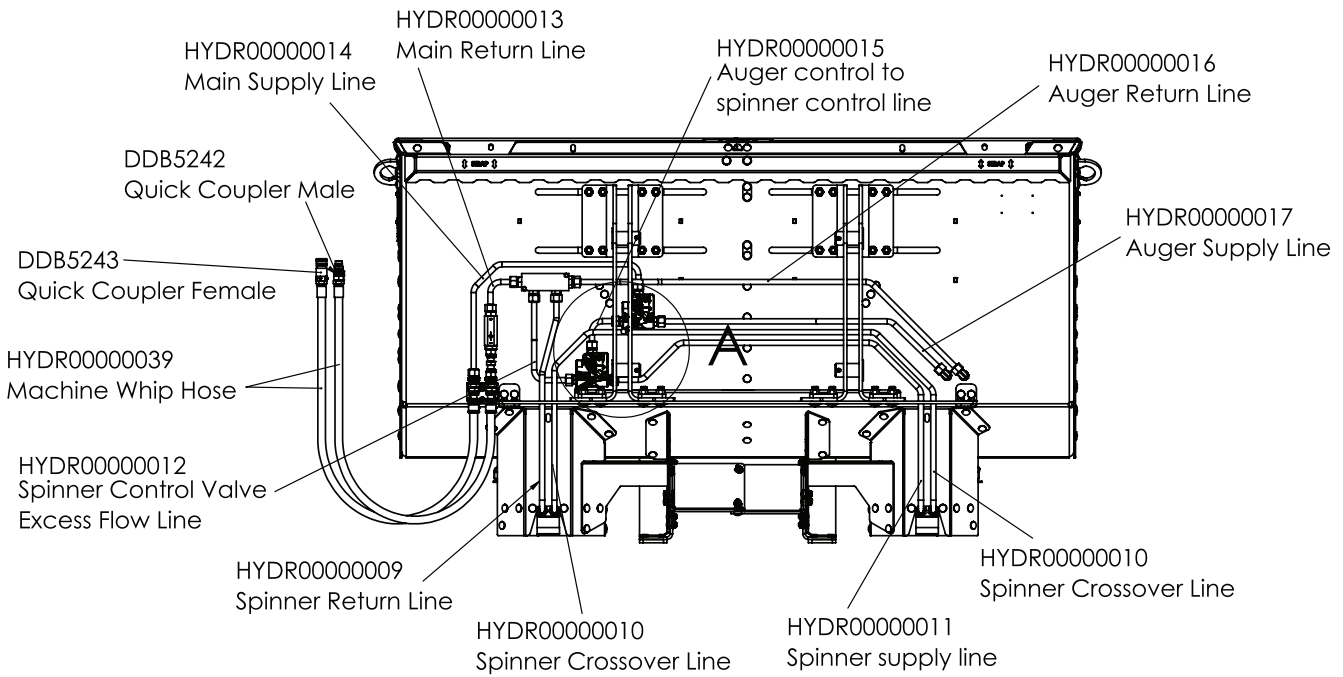
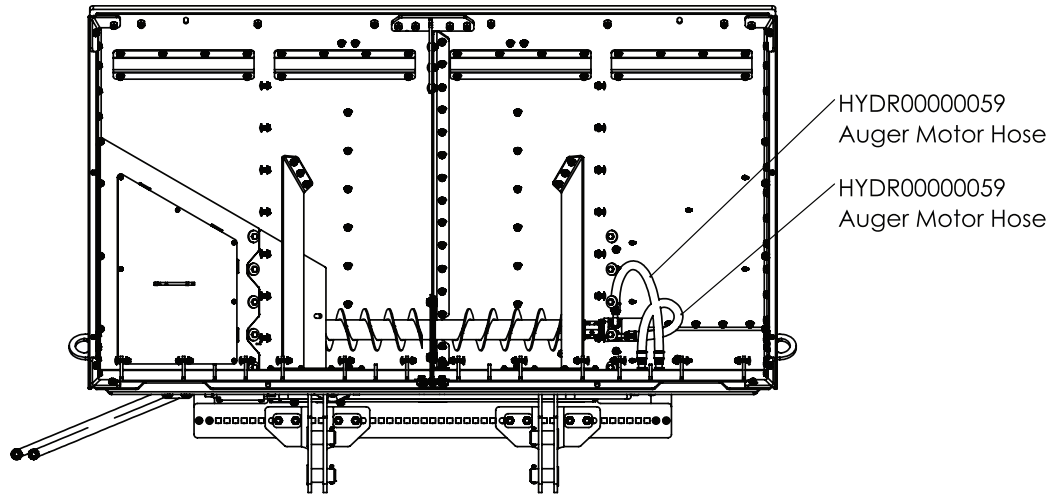


DETAIL A
SCALE 1 : 10

Note: Applicable for units built after October 2024 with ORFS style fittings

1 & 3 YARD DOUBLEDOWN SALT BUCKET™ HYDRAULIC COMPONENTS – ORFS

FIG. 83 YD. DOUBLEDOWN SALT BUCKET™ HYDRAULIC ASSEMBLY

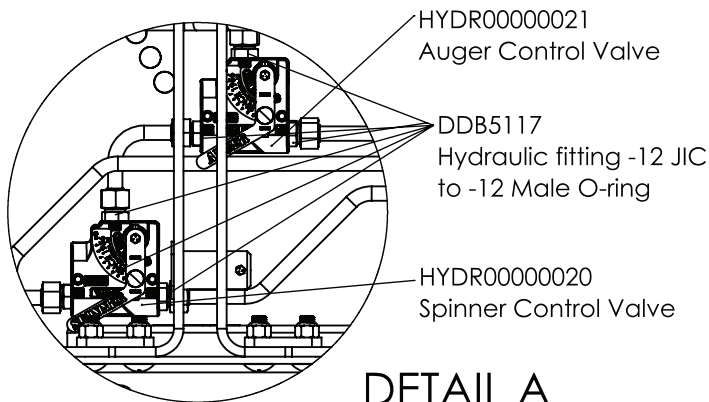
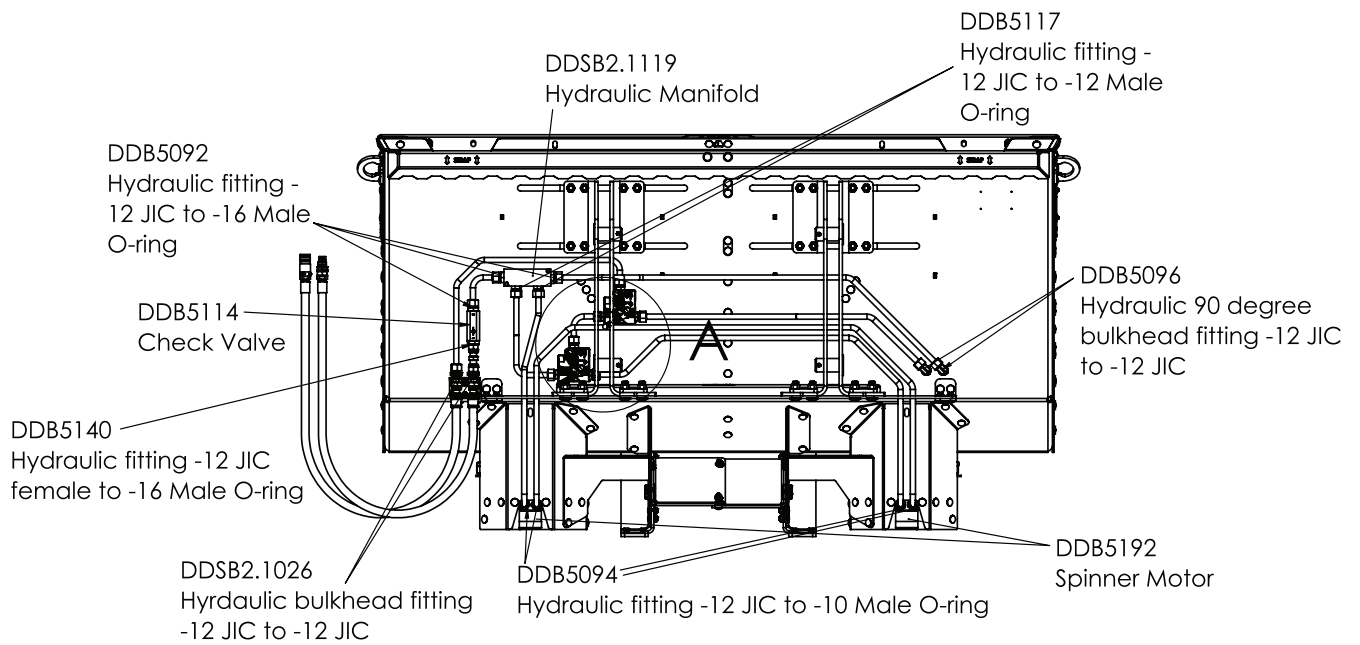
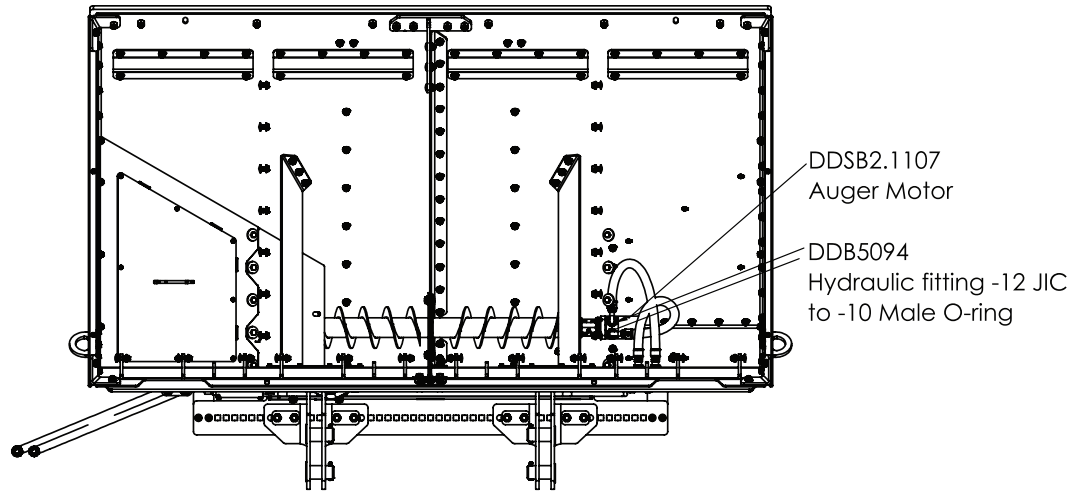


DETAIL A
SCALE 1 : 10

Note: Applicable for units built after October 2024 with ORFS style fittings



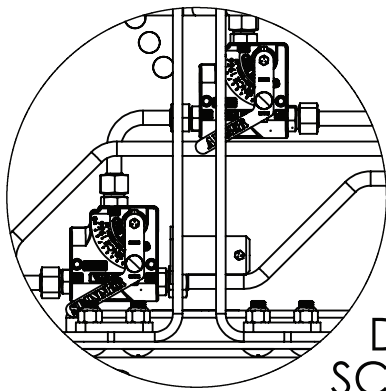
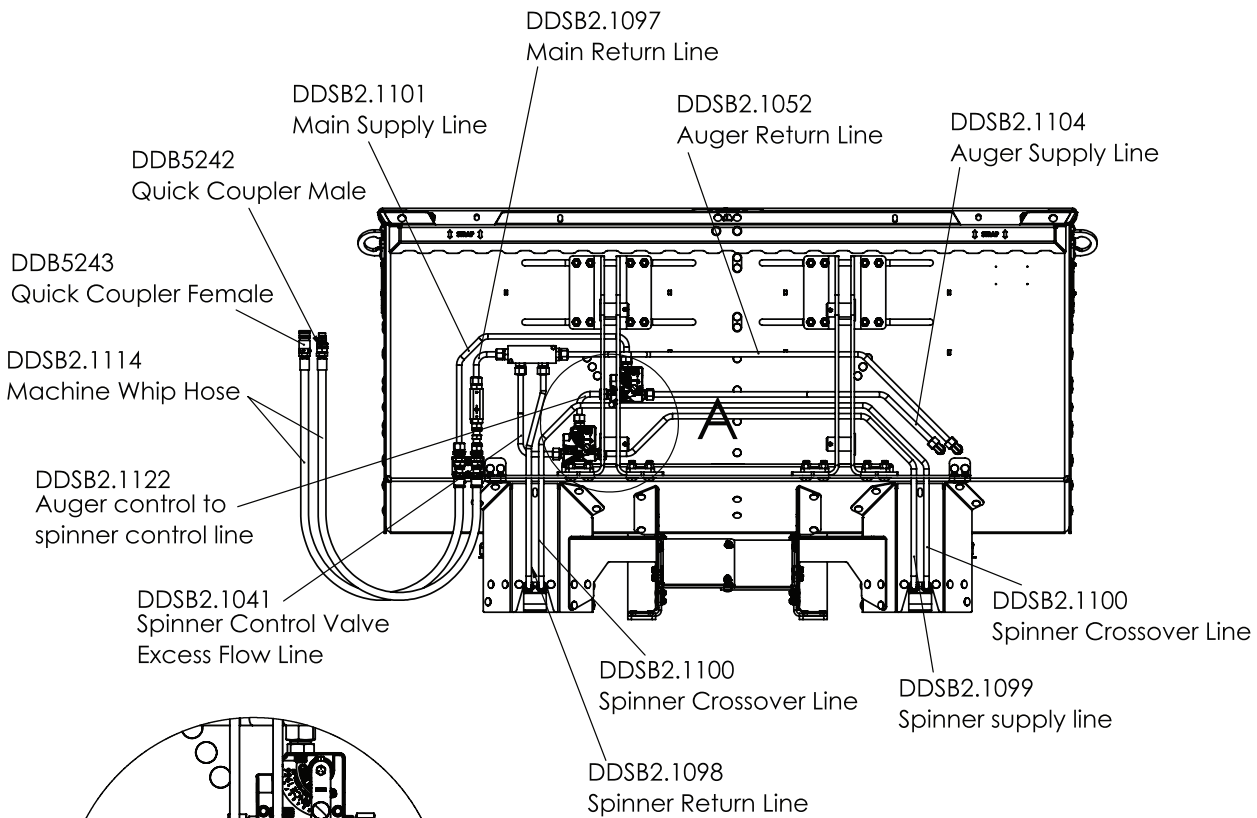
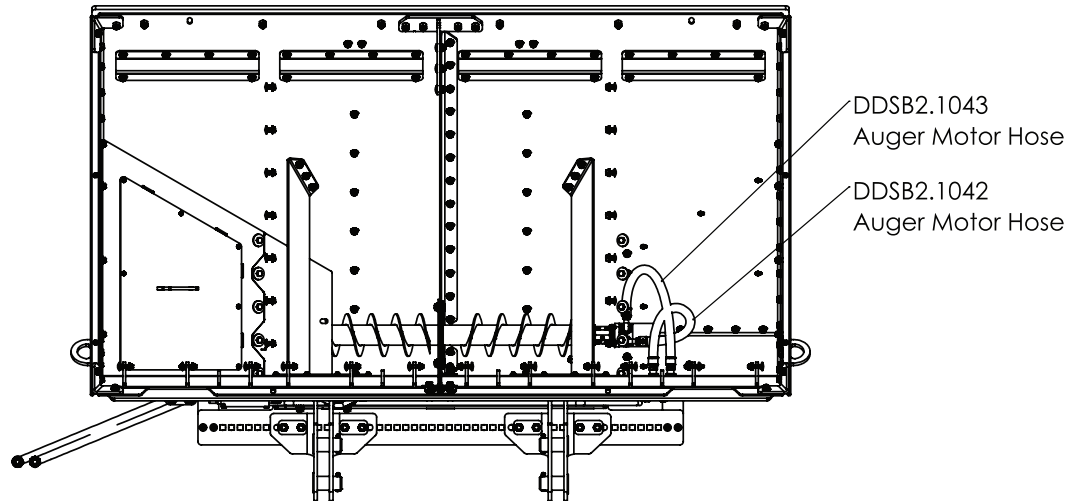
1 & 3 YARD DOUBLEDOWN SALT BUCKET™ HYDRAULIC COMPONENTS – JIC



DETAIL A
SCALE 1 : 10

Note: Applicable for units built before October 2024 with JIC style fittings

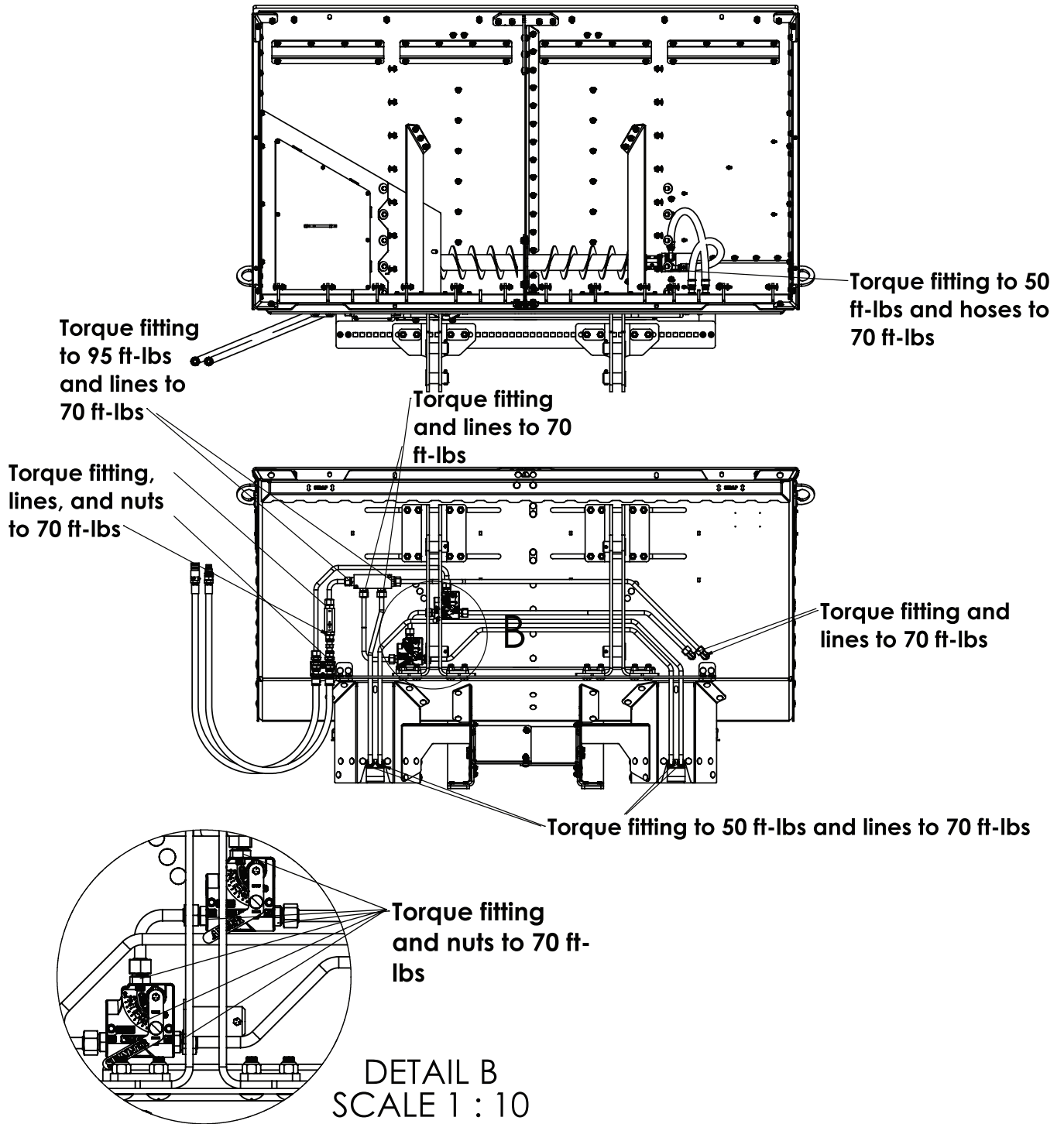
1 & 3 YARD DOUBLEDOWN SALT BUCKET™ HYDRAULIC COMPONENTS – JIC



Note: Applicable for units built before October 2024 with JIC style fittings



1 & 3 YARD DOUBLEDOWN SALT BUCKET™ HYDRAULIC COMPONENTS – TORQUE VALUES



Note: When using crow's foot adapter with conventional torque wrench, subtract 5-ft-lbs.