



ARCTIC RAZORBACK RETROFIT PLOW

PARTS LIST



101 N. EUCLID AVENUE, BRADLEY, IL 60915

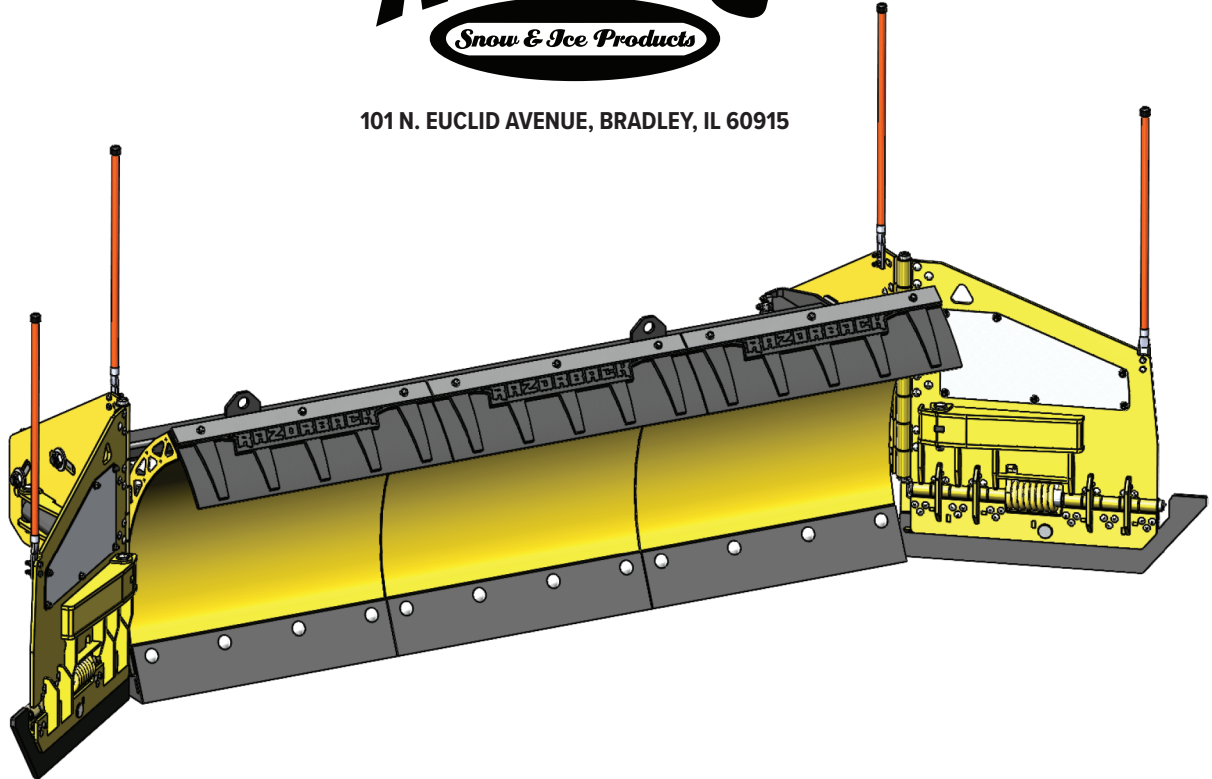
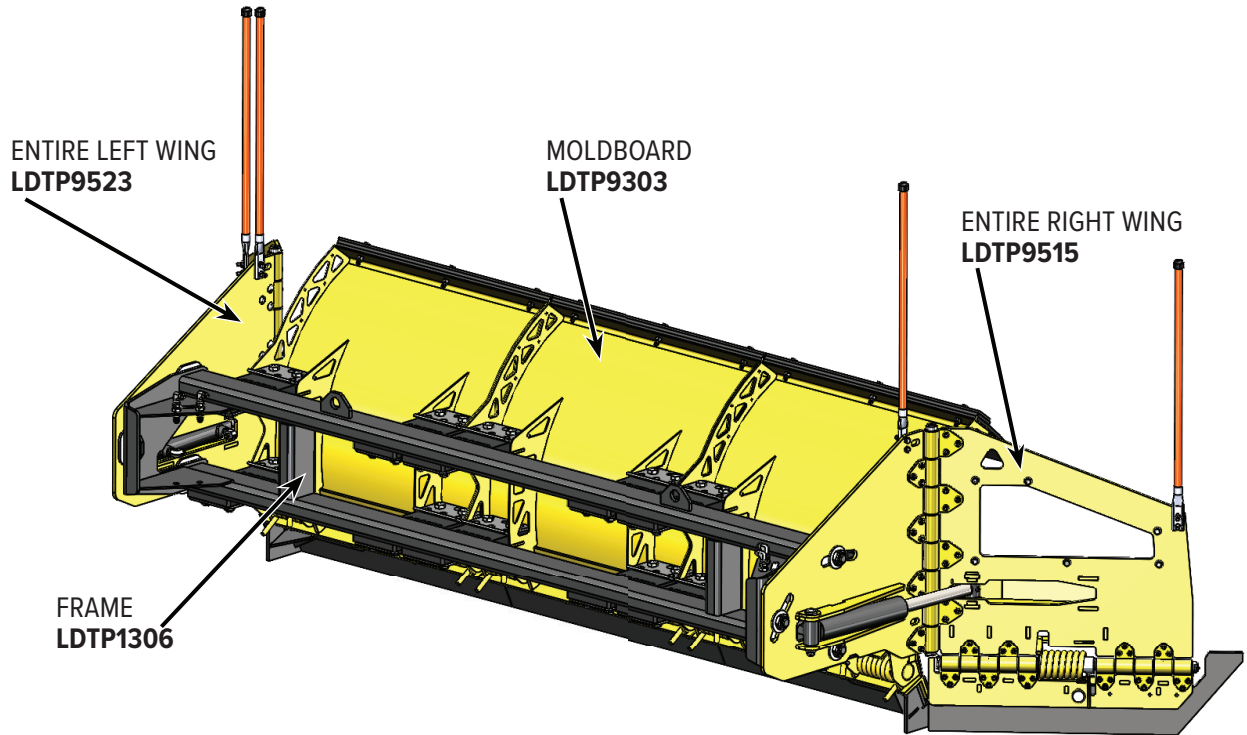
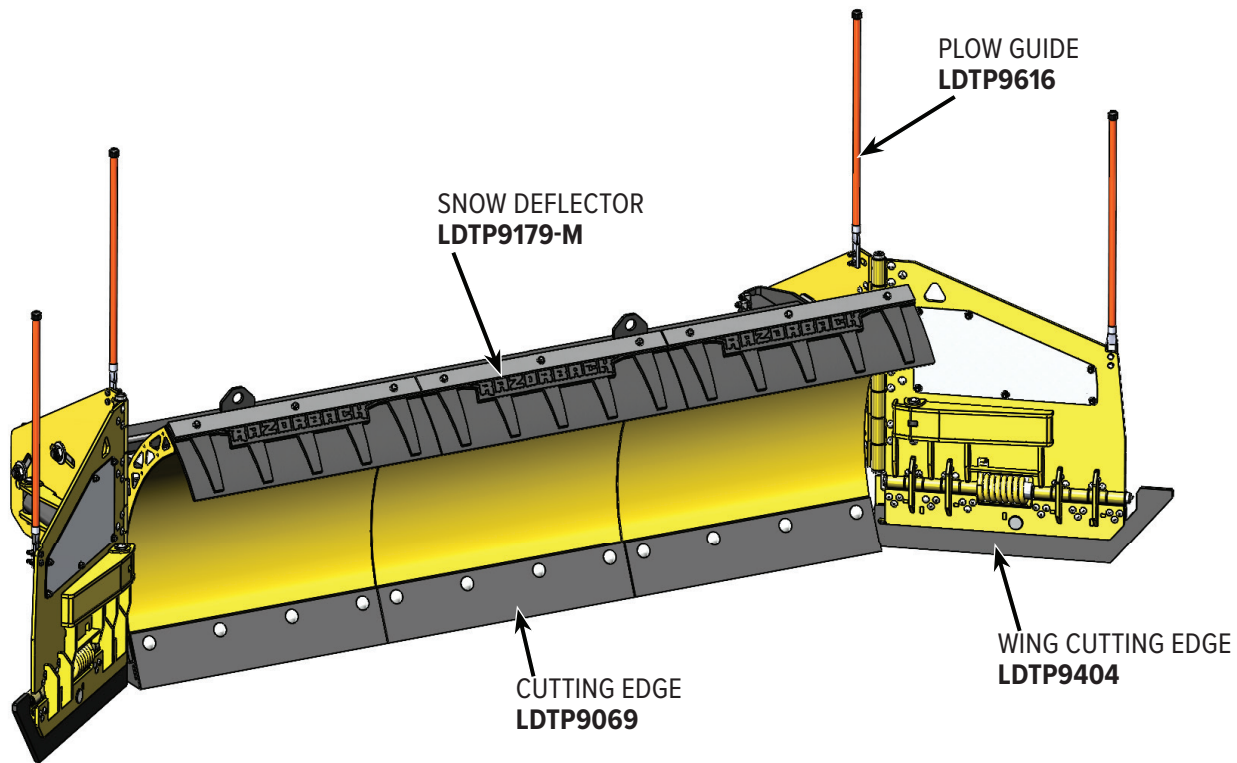


TABLE OF CONTENTS

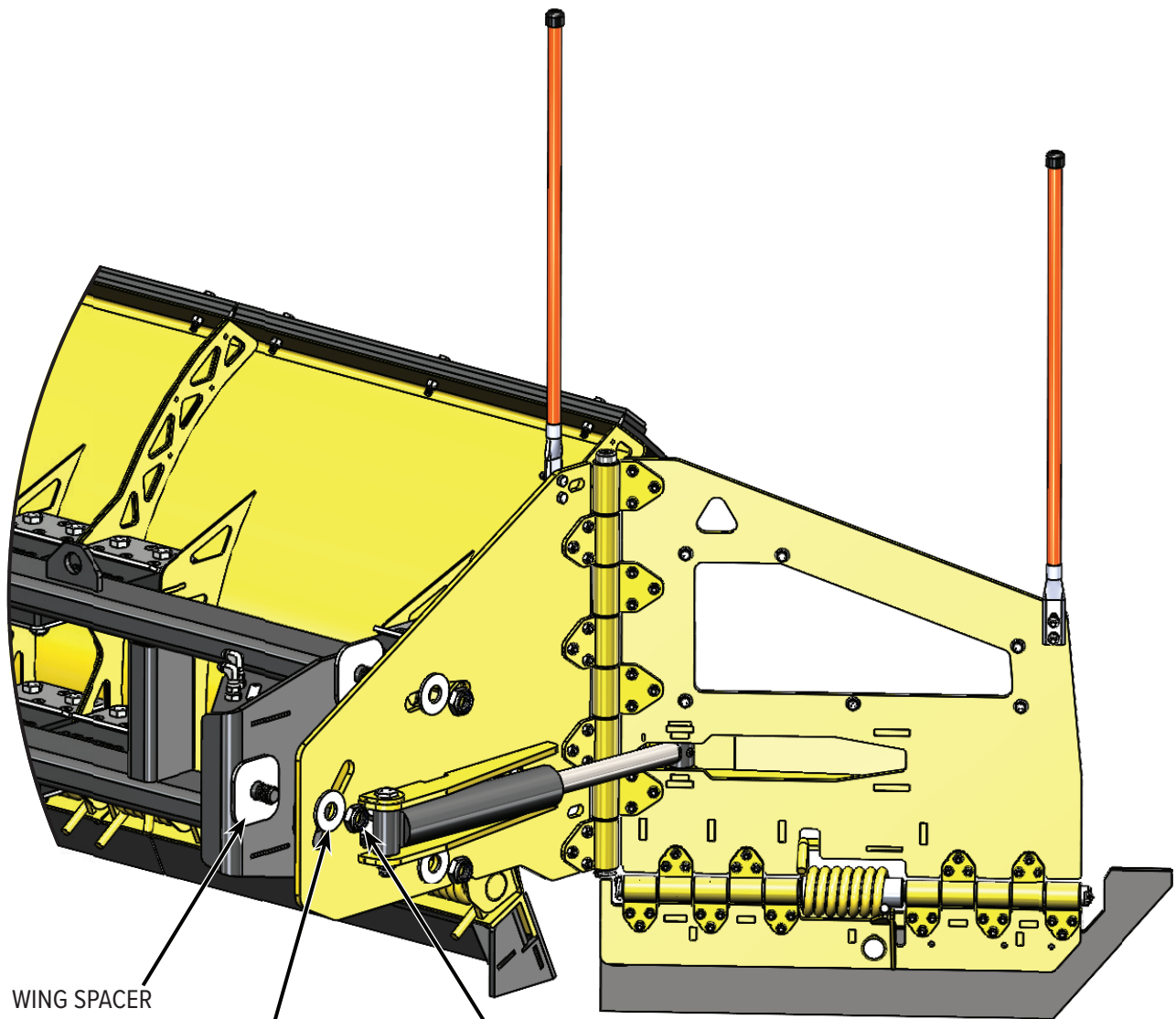
RazorBack Retrofit Plow™ Components	3
Wing to Frame	4
Wing Components.....	5-8
Moldboard Assembly	9
Cutting Edge and Snow Deflector to Moldboard	10
Moldboard to Frame	11



RAZORBACK RETROFIT PLOW™ COMPONENTS



WING TO FRAME



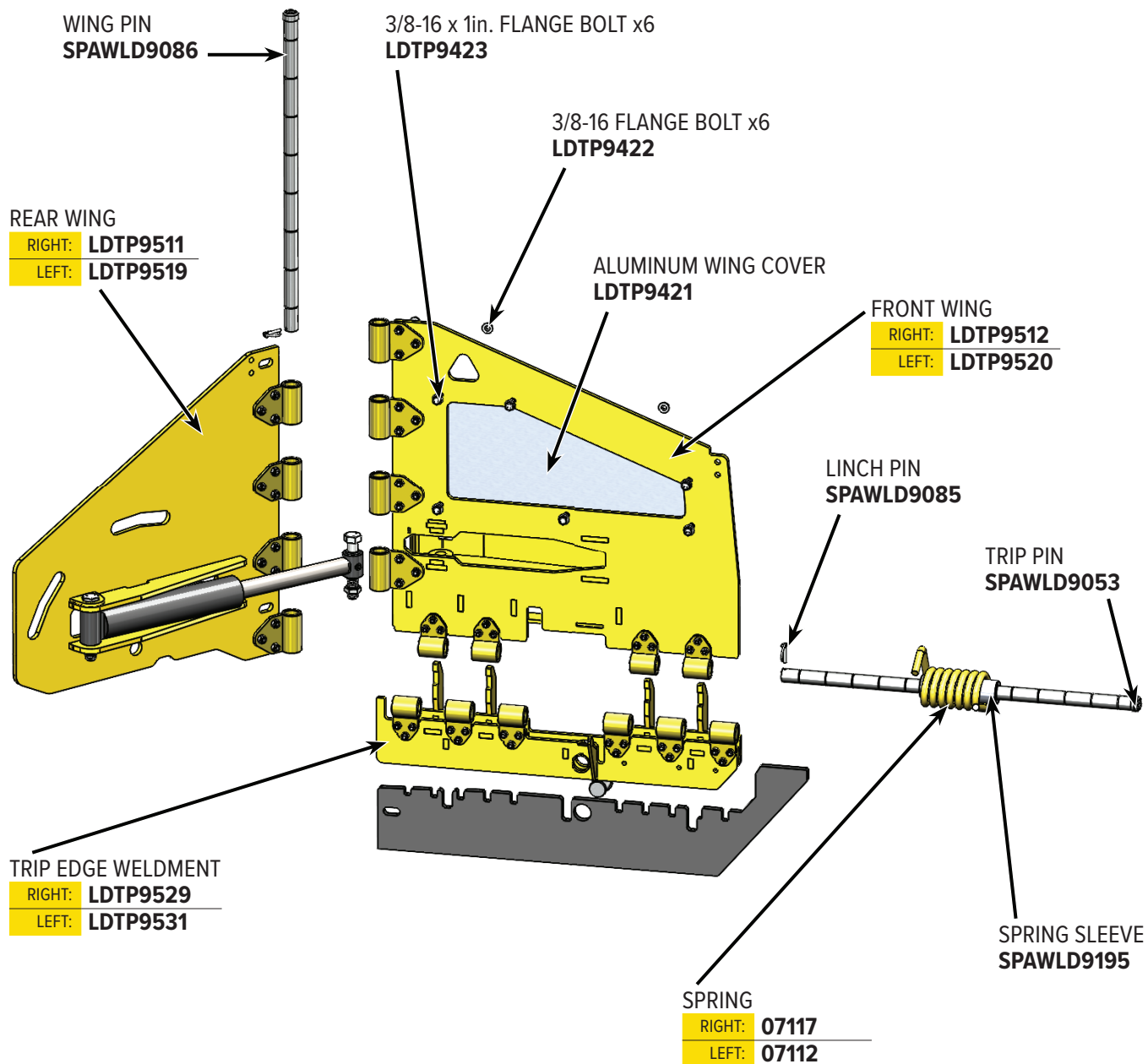
WING SPACER
07068

WING WASHER
SPAULD9082

WING NUT (1-8 Shallow Nylon Locknut)
SPAULD9080



WING COMPONENTS



WING COMPONENTS

3/4-10 x 4.5in. HEX HEAD BOLT
LDTP9473

FRONT WING CYLINDER SLEEVE
LDTP9471

3/4-10 SHALLOW NYLON LOCK NUT
LDPT9469

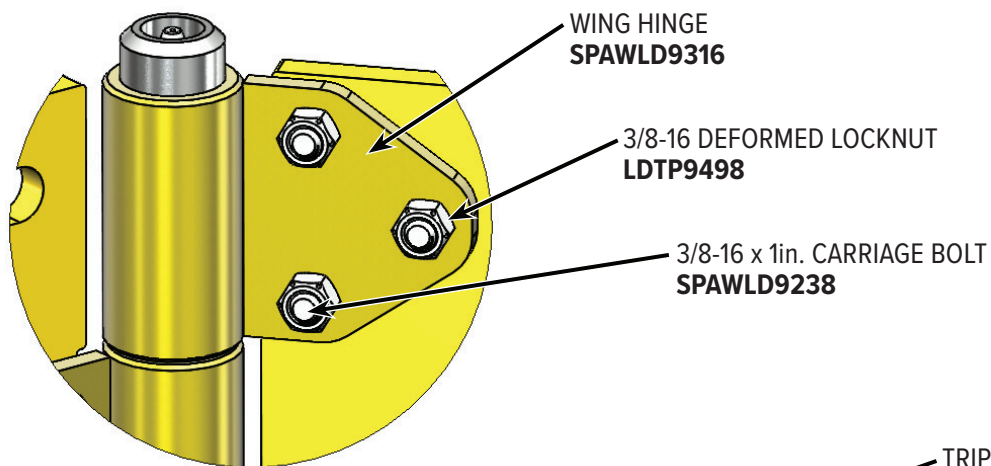
WING CYLINDER
LDTP9402

WING CYLINDER FITTINGS
SPAWLD9166

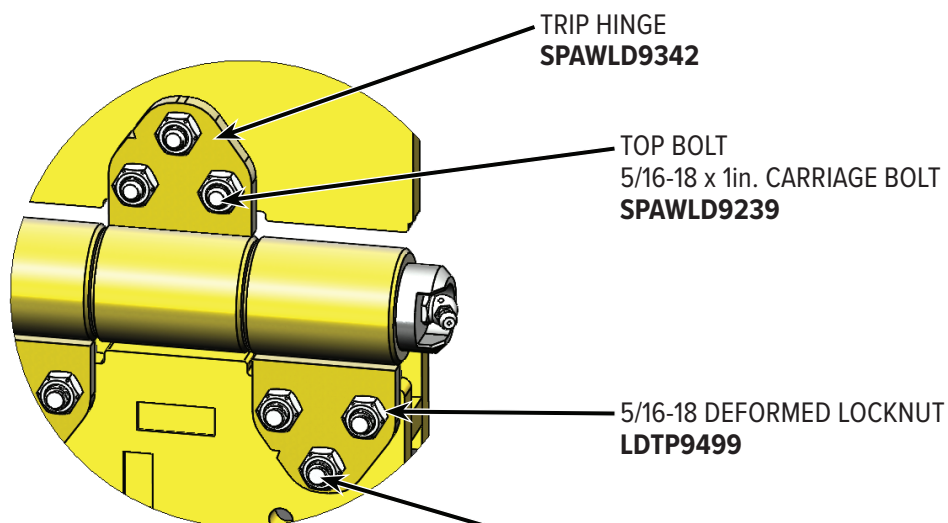
REAR WING CYLINDER SLEEVE
LDTP9470



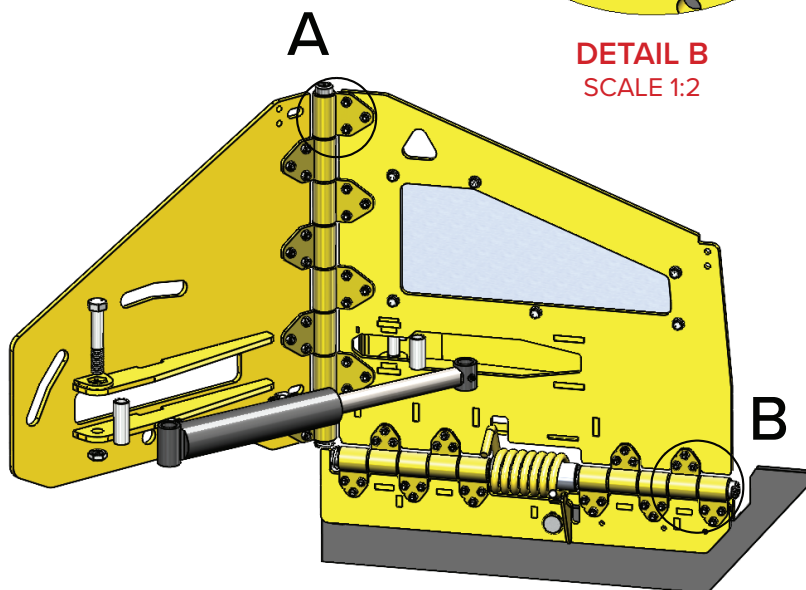
WING COMPONENTS



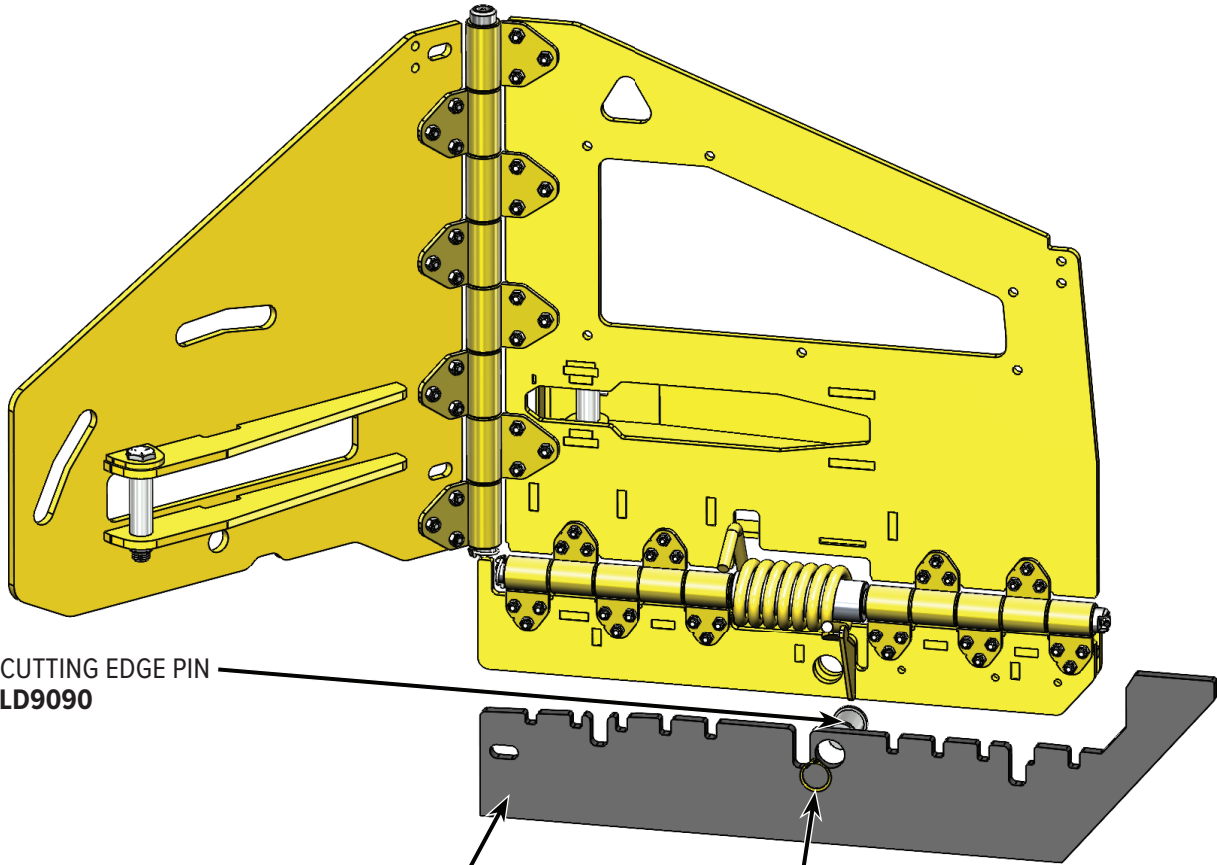
DETAIL A
SCALE 1:2



DETAIL B
SCALE 1:2



WING COMPONENTS



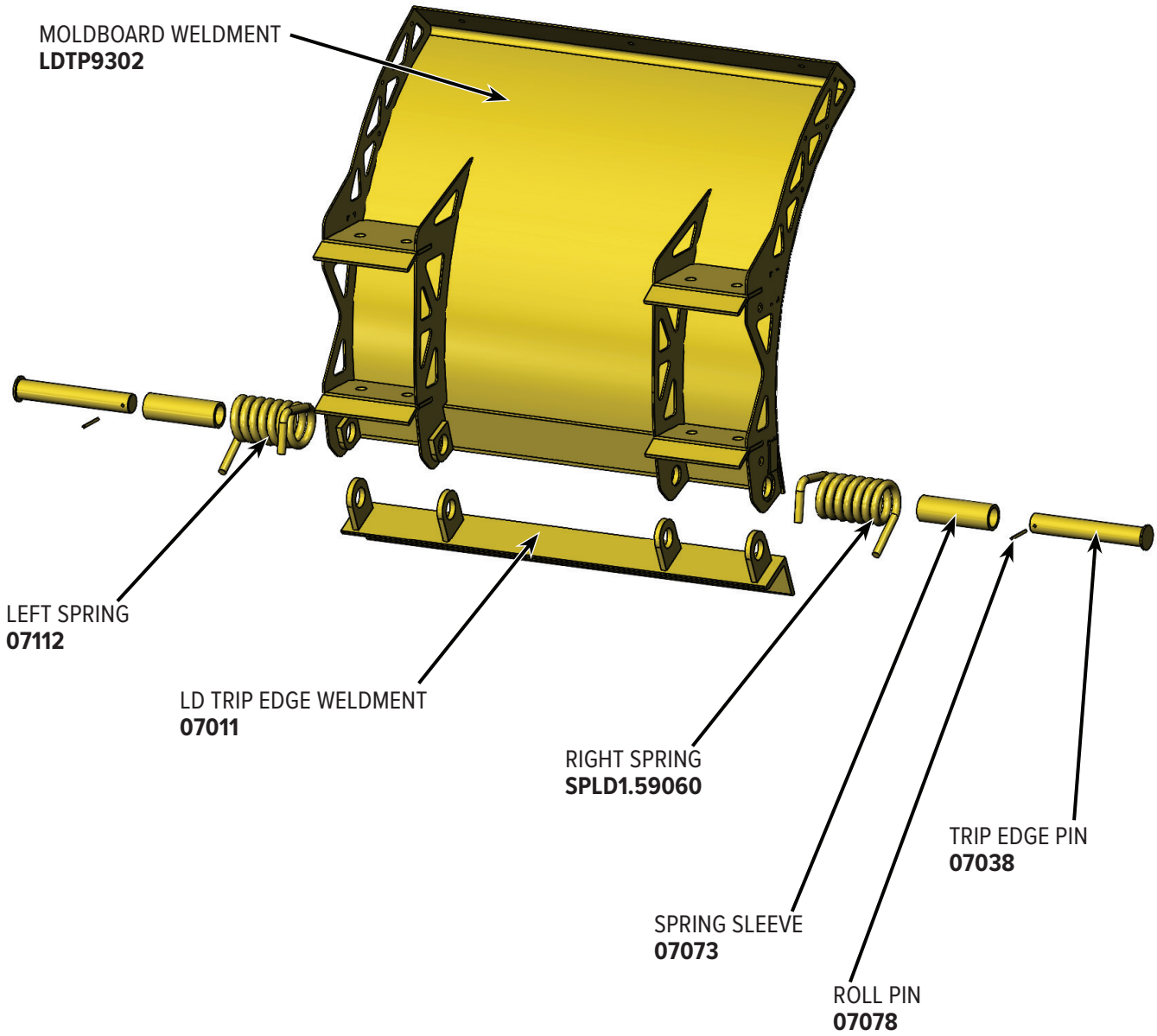
WING CUTTING EDGE PIN
SPAWLD9090

WING CUTTING EDGE
LDTP9404

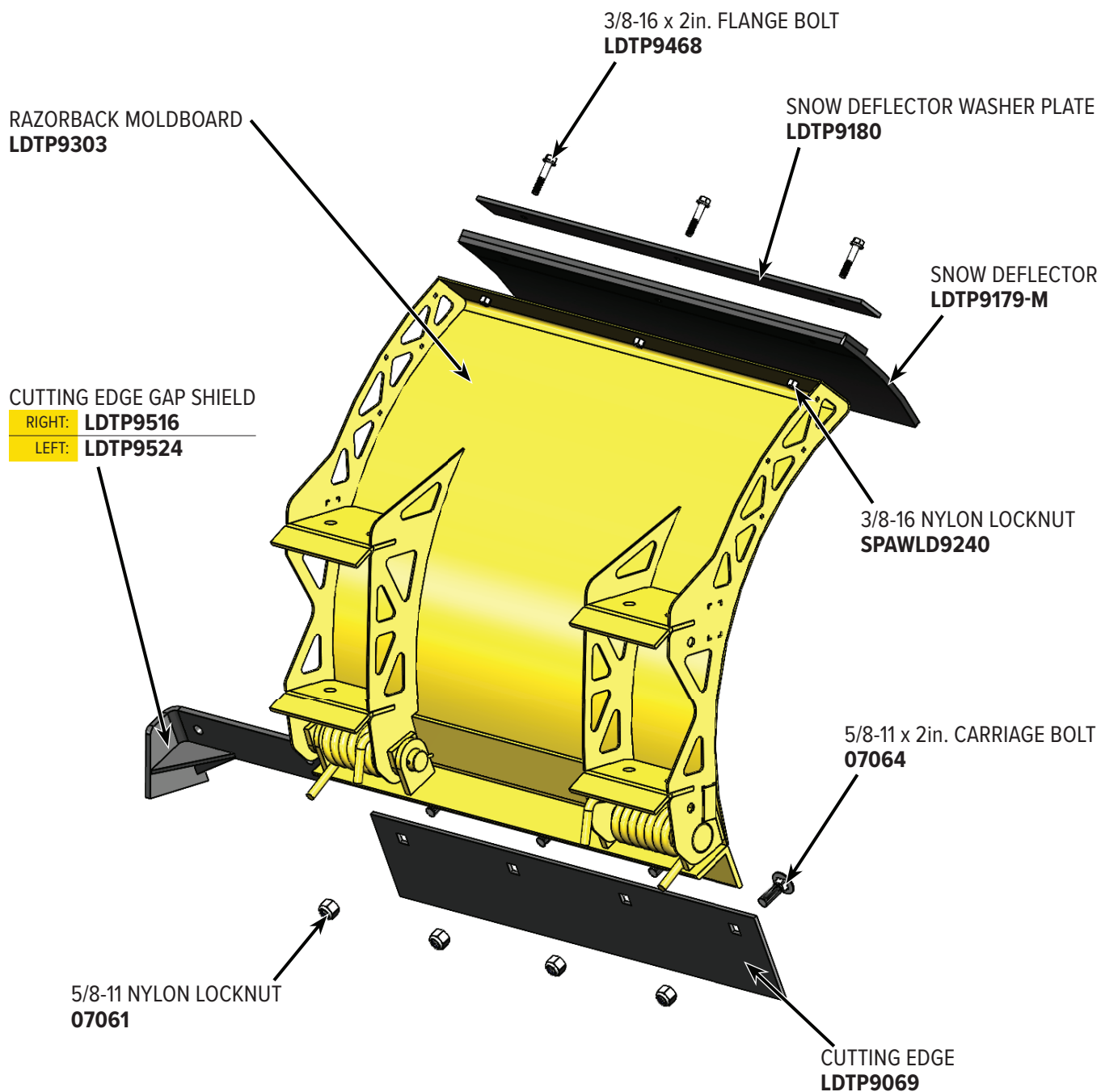
C-CLIP
SPLD1.59060



MOLDBOARD ASSEMBLY (LDTP9303)



CUTTING EDGE & SNOW DEFLECTOR TO MOLDBOARD



MOLDBOARD TO FRAME

