



## ARCTIC RAZORBACK STRAIT RETROFIT PLOW

### PARTS INCLUDED



101 N. EUCLID AVENUE, BRADLEY, IL 60915

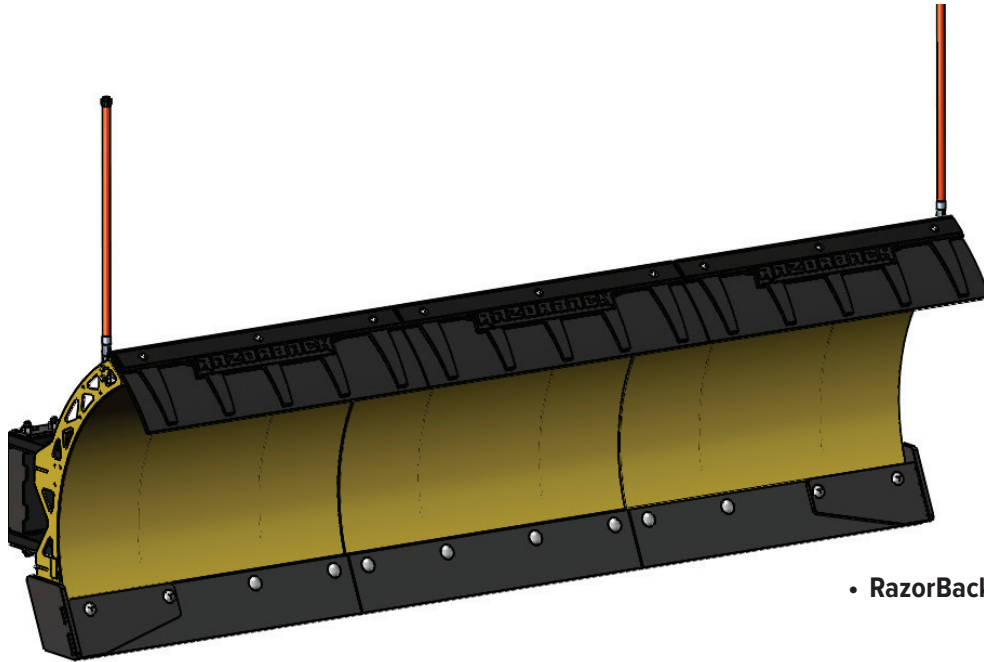


# TABLE OF CONTENTS

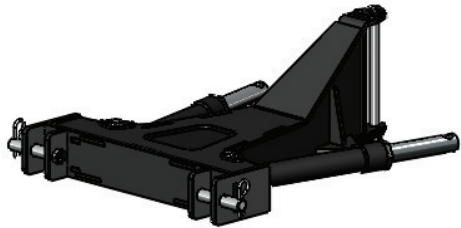
Parts Included .....	3
A-Frame Installation .....	4
Plow Guide Installation.....	5
Polyblock Parts .....	6
Snow Deflector .....	7
Cutting Edge .....	8
Moldboard .....	9



## WHAT'S INCLUDED



- RazorBack Strait Blade Plow™ x1



- A-Frame Assembly *(if ordered)*



## A-FFRAME INSTALLATION

### Main Angle Bolt

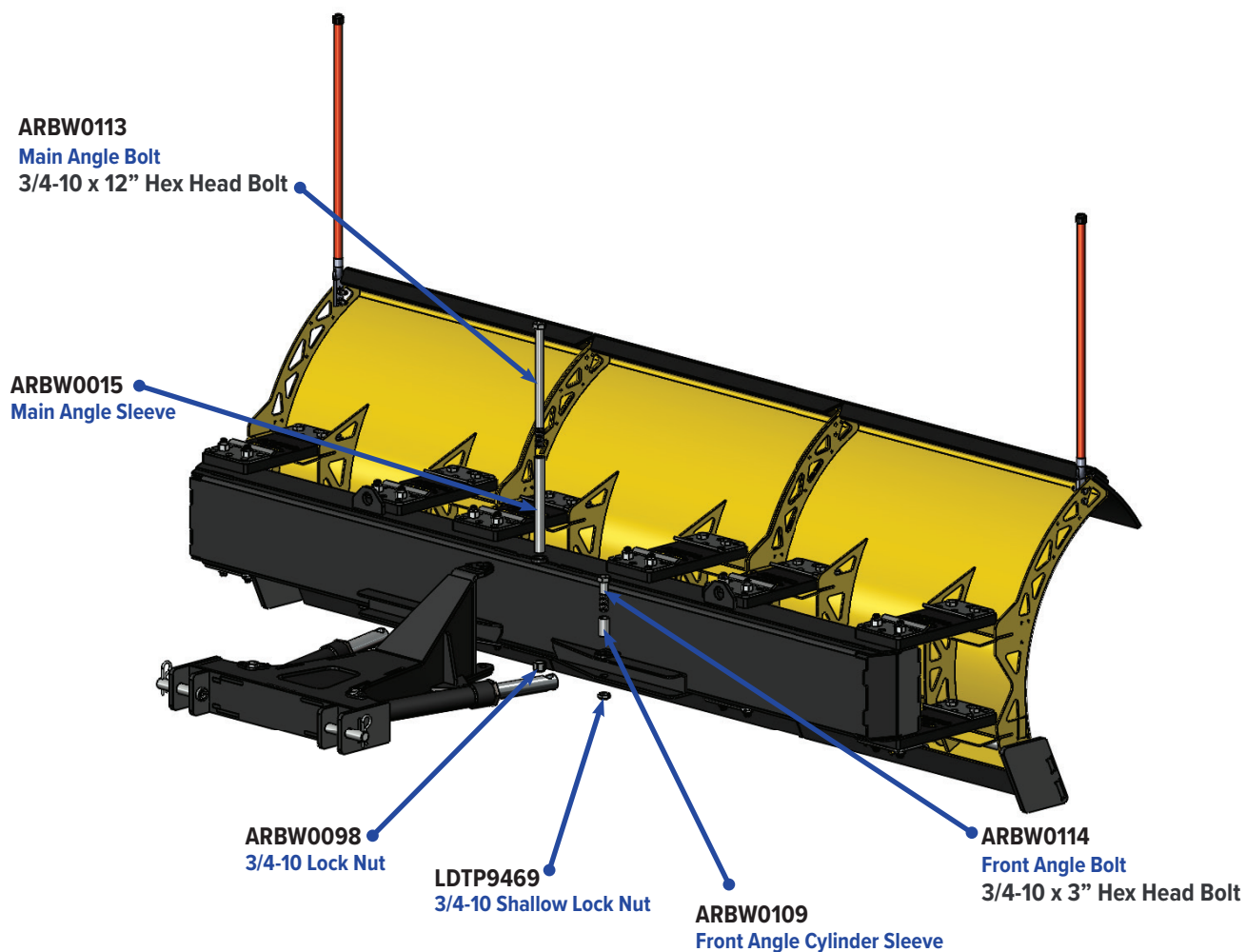
1. Sleeve goes in frame
2. A-frame goes around sleeve
3. Bolt goes through A-frame and sleeve
4. Nut clamps from bottom of A-frame

**Torque to 150 ftlb**

### Angle Cylinder Pin

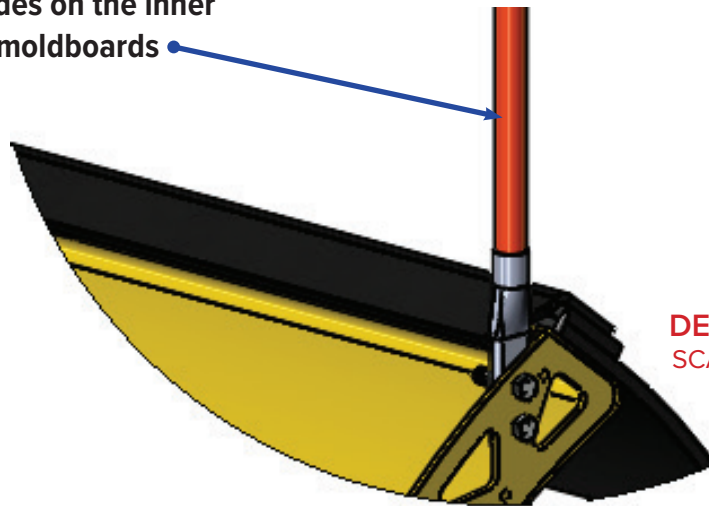
1. Sleeve goes in cylinder rod
2. Sleeve with cylinder rod goes in between tabs on frame
3. Bolt goes through sleeve and cylinder rod
4. Nut clamps from bottom of frame tab

**Torque to 150 ftlb**

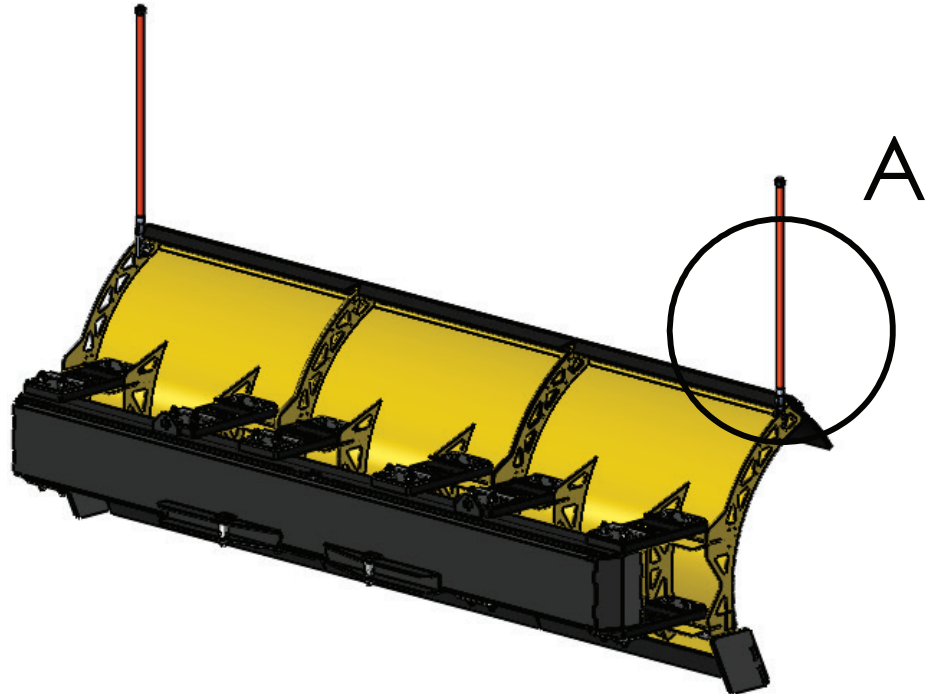


# PLOW GUIDE INSTALLATION

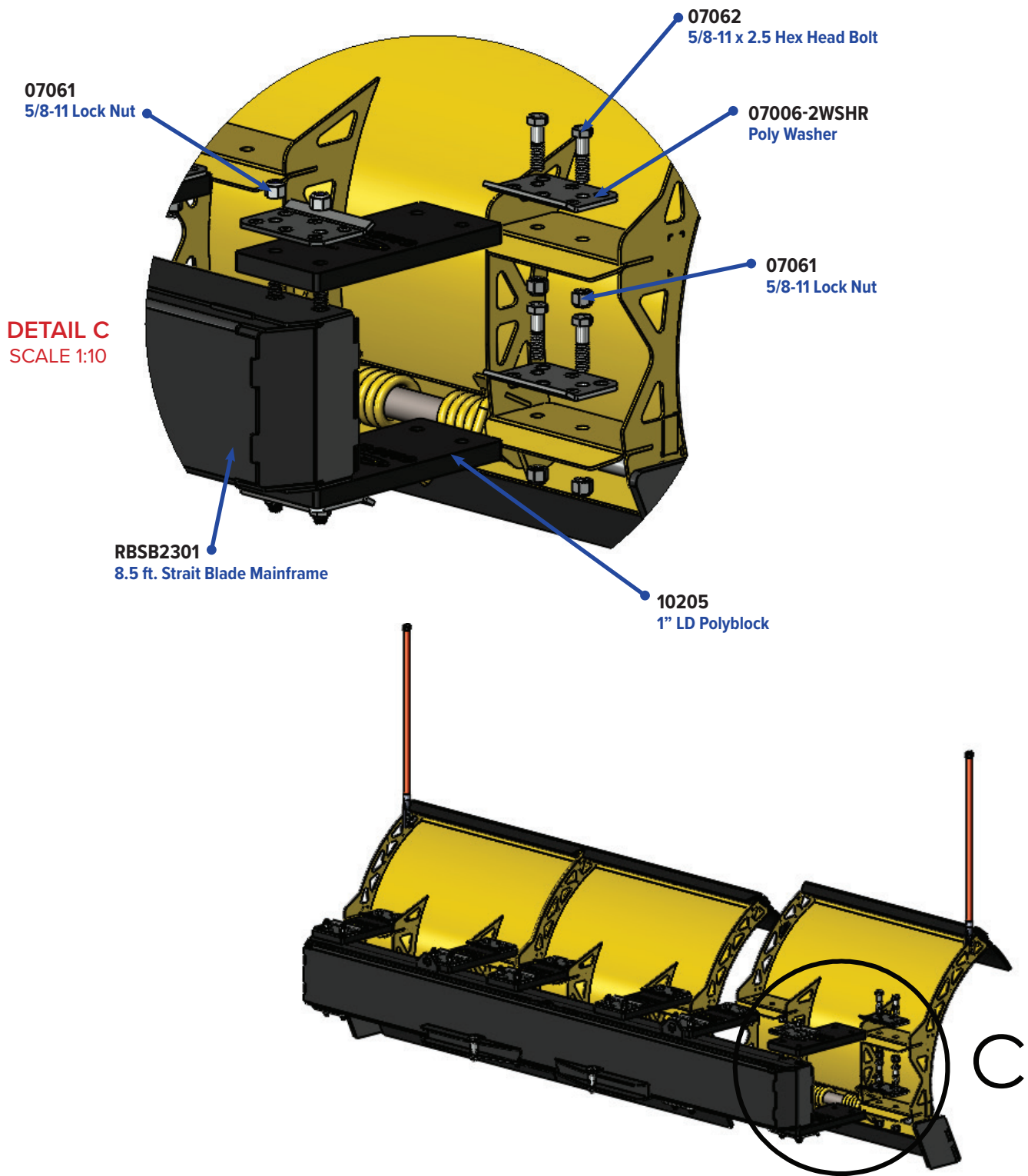
Install plow guides on the inner side of the end moldboards



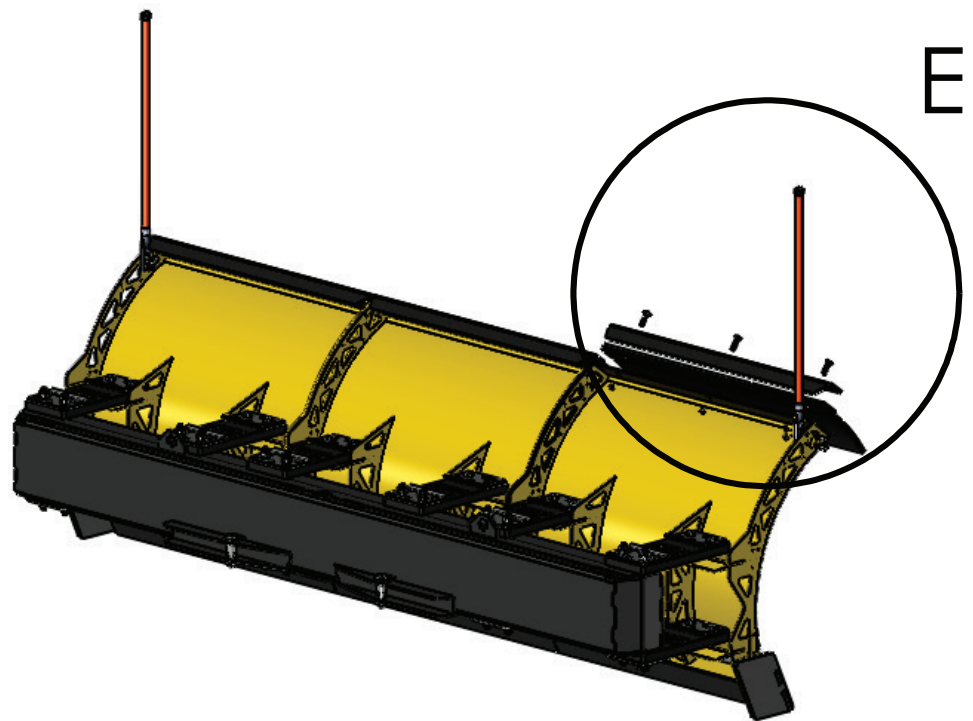
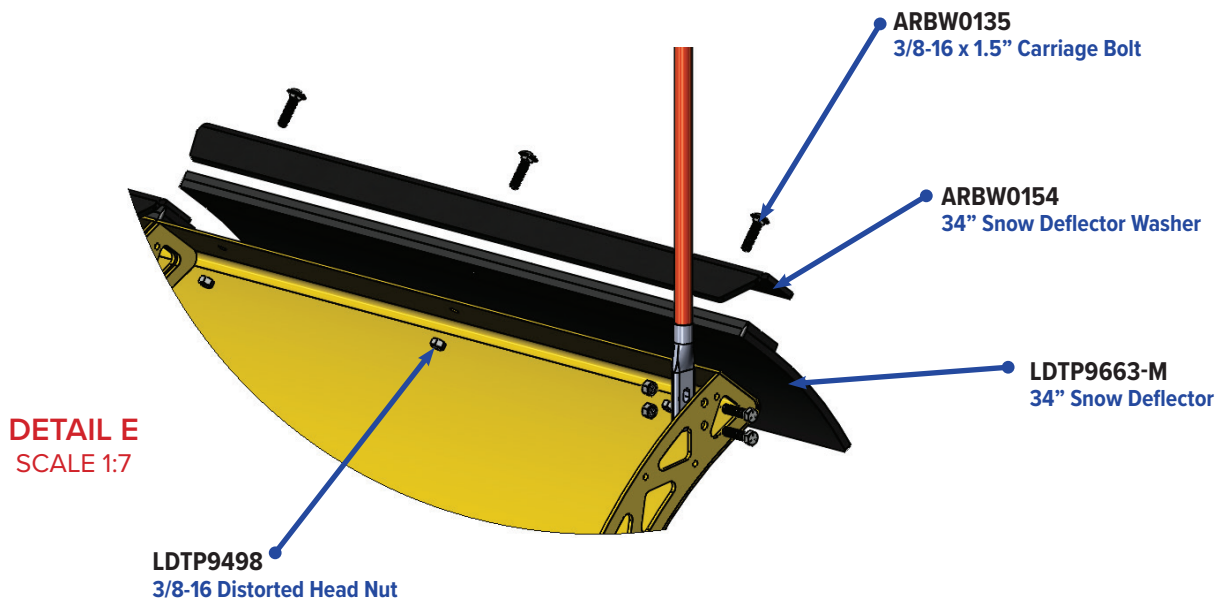
DETAIL A  
SCALE 1:10



# POLYBLOCK PARTS



# SNOW DEFLECTOR



# CUTTING EDGE

DETAIL G  
SCALE 1:15

07064

5/8-11 x 2" Carriage Bolt

07653

5/8-11 x 2.5" Carriage Bolt

Curb Guard

Left: MLDB00000101

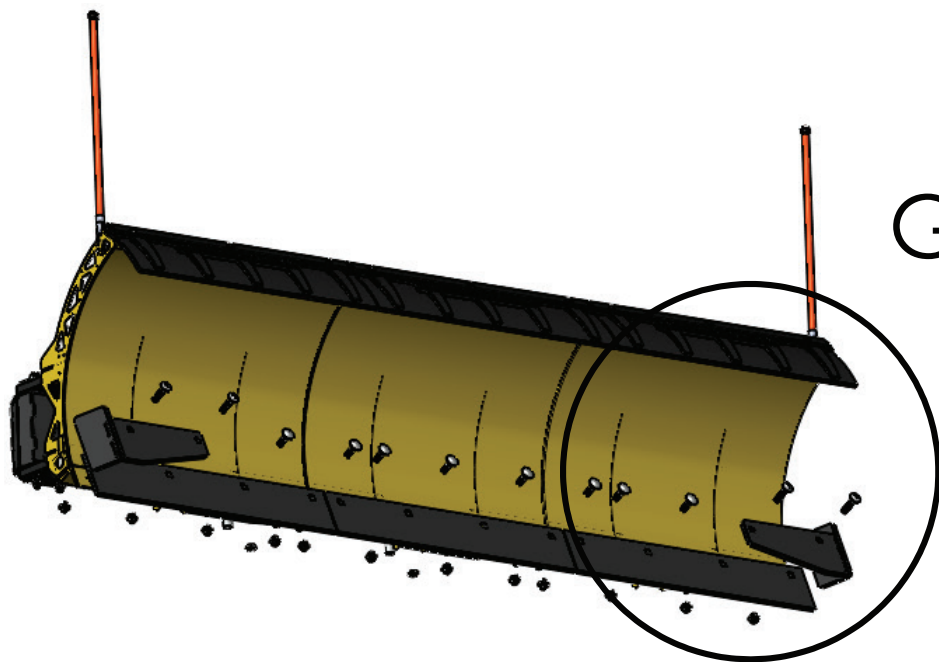
Right: MLDB00000097

07061

5/8-11 Lock Nut

LDTP9662

34" Cutting Edge — 1/2" thick AR400



G





# MOLDBOARD

## LDTP9558 34" Complete Moldboard Assembly

